



Operator Manual  
Manuel de l'opérateur  
Manual del operador

PM0105000 ELECTRIC GENERATOR - GROUPE ELECTROGENE - GENERADOR ELECTRICO

**IMPORTANT** – Please make certain that persons who are to use this equipment thoroughly read and understand these instructions and any additional instructions provided prior to operation.

**IMPORTANT** - Prière de vous assurer que les personnes destinées à utiliser cet appareil ont pris soin d'en lire et d'en comprendre le mode d'emploi ou les directives avant de le mettre en marche.

**IMPORTANTE** - Asegúrese que las personas que utilizarán este equipo lean y entiendan completamente estas instrucciones y cualquier instrucción adicional proporcionada antes del funcionamiento.



Record the serial numbers as indicated on your Generator's nameplate:

Serial No. \_\_\_\_\_

Enregistrer le numéro de série figurant sur la plaque signalétique du groupe électrogène:

N° de série \_\_\_\_\_

Registre de serie como se indica en la placa del nombre de su generador:

No. de serie \_\_\_\_\_



**DO NOT RETURN TO STORE!**



**CALL US FIRST!**

**CUSTOMER HOTLINE  
1-800-445-1805  
or 1-308-237-2181  
FOR QUESTIONS OR  
SERVICE INFORMATION**



**NE PAS RETOURNER AU MAGASIN!**



**APPELEZ-NOUS D'ABORD!**

**ASSISTANCE TELEPHONIQUE  
A LA CLIENTELE  
1-800-445-1805  
ou 1-308-237-2181  
POUR L'INFORMATION DE  
QUESTIONS OU SERVICE**



**NO LO DEVUELVA A LA TIENDA!**



**¡PRIMERO LLÁMENOS!**

**LÍNEA DIRECTA DE ATENCIÓN  
AL CLIENTE  
1-800-445-1805  
o 1-308-237-2181  
PARA la INFORMACION de  
PREGUNTAS O SERVICIO**

## TABLE OF CONTENTS

Safety and operation rules . . . . .	3	Oil type . . . . .	10
Spark arresting muffler . . . . .	4	Oil replacement . . . . .	10
Determining total wattage . . . . .	4	Air filter cleaning . . . . .	10
Operating voltage . . . . .	5	Fuel valve filter cleaning . . . . .	10
Installation . . . . .	5	Fuel strainer cleaning . . . . .	10
Before operation . . . . .	6	Exciting the generator . . . . .	11
Grounding the generator . . . . .	6	Heat shield . . . . .	11
Lubrication . . . . .	6	Engine carburetor icing . . . . .	11
Low oil sensor . . . . .	6	Quick starting tips . . . . .	11
Fuel . . . . .	6	Service and storage . . . . .	11
Generator features . . . . .	7	Infrequent service . . . . .	11
Portability kit installation . . . . .	8	Long term storage . . . . .	11
Starting the unit . . . . .	9	Engine troubleshooting . . . . .	12
Pre-start preparation . . . . .	9	Engine specifications . . . . .	12
Starting the engine . . . . .	9	Service information . . . . .	13
Applying load . . . . .	9	Limited warranty . . . . .	13
Shutting the generator off . . . . .	9	Parts drawing . . . . .	36
Periodic Maintenance . . . . .	10	Parts list . . . . .	37-39
Maintenance . . . . .	10	Emission control warranty . . . . .	40
Spark plug . . . . .	10		

## TABLE DES MATIERES

Règles d'opération et de sécurité . . . . .	14	La bougie d'allumage . . . . .	21
Silencieux pare-étincelles . . . . .	15	Le type d'huile . . . . .	21
Détermination de la puissance totale nécessaire . . . . .	15	Remplacement d'huile . . . . .	21
Vérifier la tension . . . . .	16	Nettoyage du filtre à air . . . . .	21
Installation . . . . .	16	Nettoyage du filtre du robinet à essence . . . . .	21
Avant de mettre en marche . . . . .	17	Nettoyage de la crépine du réservoir à carburant . . . . .	21
Mise en place de l'appareil . . . . .	17	Excitation de l'appareil . . . . .	22
Lubrification . . . . .	17	Écrans de chaleur . . . . .	22
Le détecteur de bas niveau d'huile . . . . .	17	Givrage du carburateur . . . . .	22
Carburant . . . . .	17	Trucs de démarrage rapide . . . . .	22
Caractéristiques du groupe électrogène . . . . .	18	Usage et entreposage . . . . .	22
L'Installation de kit de transport . . . . .	19	Usage peu fréquent . . . . .	22
Démarrage de l'appareil . . . . .	20	Entreposage à long terme . . . . .	22
Préparatifs au démarrage . . . . .	20	Depannage du moteur . . . . .	23
Démarrage du moteur . . . . .	20	Caractéristiques du moteur . . . . .	23
Branchement des appareils . . . . .	20	Service clientèle . . . . .	24
Arrêt de l'appareil . . . . .	20	Garantie limitée . . . . .	24
Entretien périodique . . . . .	21	Schema des pièces . . . . .	36
Entretien . . . . .	21	Liste des pièces . . . . .	37-39

## INDICE

Reglas de seguridad y de funcionamiento . . . . .	25	Tipo de aceite . . . . .	32
Silenciador apagachispas . . . . .	26	Cambio del aceite . . . . .	32
Como determinar el vataje total . . . . .	26	Cómo limpiar el filtro de aire . . . . .	32
Requerimiento de voltaje . . . . .	27	Cómo limpiar el filtro de la válvula de combustible . . . . .	32
Instalacion . . . . .	27	Limpieza del filtro de combustible . . . . .	32
Antes de la operacion . . . . .	28	Excitacion del generador . . . . .	33
Puesta a tierra del generador . . . . .	28	Escudo contra el calor . . . . .	33
Lubrificacion . . . . .	28	Congelamiento del carburador del motor . . . . .	33
El sensor del nivel bajo de aceite . . . . .	28	Instrucciones rápidas para el arranque . . . . .	33
Combustible . . . . .	28	Servicio y almacenamiento . . . . .	33
Caracteristicas del generador . . . . .	29	Servicio poco frecuente . . . . .	33
Instalacion del juego de transport . . . . .	30	Almacenamiento a largo plazo . . . . .	33
Arranque de la unidad . . . . .	31	Deteccion de fallos del motor . . . . .	34
Preparacion antes de arrancar . . . . .	31	Especificaciones del motor . . . . .	34
Arranque del motor . . . . .	31	Informacion de servicio al cliente . . . . .	35
Como aplicar una carga . . . . .	31	Garantia limitada . . . . .	35
Apagado del generador . . . . .	31	Diagrama de piezas . . . . .	36
Mantenimiento periódico . . . . .	32	Lista de piezas . . . . .	37-39
Mantenimiento . . . . .	32		
Bujia . . . . .	32		

## SAFETY INFORMATION



### DANGER

DANGER indicates a potentially hazardous situation which, if not avoided, WILL result in death or serious injury.



### WARNING

WARNING indicates a potentially hazardous situation which, if not avoided, could result in death or serious injury.



### CAUTION

CAUTION indicates a potentially hazardous situation which, if not avoided, may result in minor or moderate personal injury, or property damage.

## SAFETY AND OPERATION RULES



**WARNING - Failure to follow these instructions and warnings may result in death, personal injury, or property damage.**

1. Read carefully and understand operator manual prior to operation of this product. Follow all warnings and instructions.
2. Know your equipment. Consider the applications, limitations, and the potential hazards specific to your unit.
3. Equipment must be placed on a firm, supporting surface.
4. Load must be kept within rating stated on generator nameplate. Overloading will damage the unit or shorten its life.
5. Engine must not be run at excessive speeds. Operating an engine at excessive speeds increases the hazard of personal injury.  
**Do not tamper with parts which may increase or decrease the governed speed.**
6. To prevent accidental starting, always remove the spark plug or cable from the spark plug before maintaining the generator or engine.
7. Units with broken or missing parts, or without protective housing or covers, should never be operated. Contact your service center for replacement parts.
8. Units should not be operated or stored in wet or damp conditions or on highly conductive locations such as metal decking and steel work.
9. Keep the generator clean and free of oil, mud and other foreign matter.
10. Extension cords, power cords, and all electrical equipment must be in good condition. Never operate electrical equipment with damaged or defective cords.



11. Store the generator in a well ventilated area with the fuel tank empty. Fuel should not be stored near the generator.
12. Your generator should never be operated under these conditions:
  - a. Uncontrolled change in engine speed.
  - b. Electrical output loss.
  - c. Overheating in connected equipment.
  - d. Sparking.
  - e. Damaged receptacles.
  - f. Engine misfire.
  - g. Excessive vibration.
  - h. Flame or smoke.
  - i. Enclosed compartment.
  - j. Rain or inclement weather. Do not let the unit get wet when operating.
13. Check the fuel system periodically for leaks or signs of deterioration such as chafed or spongy hose, loose or missing clamps, or damaged tank or cap. All defects should be corrected before operation.
14. The generator should be operated, serviced, and refueled only under the following conditions:
  - a. **Start and run the generator outdoors. Do not run the generator in an enclosed area, even if doors or windows are open; avoid areas where vapors may be trapped, such as pits, garages, cellars, excavations and boat bilges. DANGER - CARBON MONOXIDE HAZARD: The engine exhaust contains carbon monoxide, a poisonous, odorless, invisible gas which, if breathed, may cause death or serious personal injury. If you start to feel sick, dizzy or weak while using the generator, shut it off and get to fresh air right away; you may have carbon monoxide poisoning.**
  - b. **Good ventilation for cooling. Air flow and temperatures are important for air cooled units. Temperatures should not exceed 104° F ambient (40° C).**
  - c. Refuel the generator in a well lighted area. Avoid fuel spills and never refuel while the generator is running. Allow engine to cool for two minutes prior to refueling.



- d. Do not refuel near open flames, pilot lights, or sparking electrical equipment such as power tools, welders, and grinders.
- e. The muffler and air cleaner must be installed and in good condition at all times as they function as flame arresters if backfiring occurs.
- f. Do not smoke near the generator.

15. Ensure that generator is properly grounded. (See “Grounding the generator” section in this manual.)



16. Do not wear loose clothing, jewelry, or anything that may be caught in the starter or other rotating parts.

17. Unit must reach operating speed before electrical loads are connected. Disconnect loads before turning off engine.

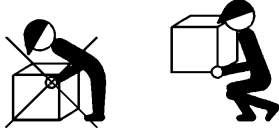
18. To prevent surging that may possibly damage equipment, do not allow engine to run out of fuel when electrical loads are applied.

19. When powering solid state equipment, a Power Line Conditioner should be used to avoid possible damage to equipment.

20. Do not stick anything through ventilating slots, even when the generator is not operating. This can damage the generator or cause personal injury.

21. Before transporting the generator in a vehicle, drain all fuel to prevent leakage that may occur.

22. Use proper lifting techniques when transporting the generator from site to site. Improper lifting techniques may result in personal injury.



23. To avoid burns, do not touch engine muffler or other engine or generator surfaces which became hot during operation.

## SPARK ARRESTER

**YOUR PRODUCT MAY NOT BE EQUIPPED WITH A SPARK ARRESTING MUFFLER.** If the product will be used around flammable materials, such as agricultural crops, forests, brush, grass, or other similar items, then an approved spark arrester should be installed and is legally required in the State of California. The California statutes requiring a spark arrester are Sections 13005(b), 4442 and 4443. Spark Arresters are also required on some U.S. Forest Service land and may also be legally required under other statutes and ordinances. An approved spark arrester is available from our product dealers, or may be ordered from Powermate Corporation, P.O. Box 6001, Kearney, Nebraska 68848. 1-800-445-1805.

## DETERMINING TOTAL WATTAGE

In order to prevent overloading and possible damage to your generator it is necessary to know the total wattage of the connected load. To determine which tools and/or appliances your generator will run follow these steps:

1. Determine if you want to run one item or multiple items simultaneously.
2. Check wattage requirements for the items you will be running by referring to the load's nameplate or by calculating it (multiply amps x volts = watts).
3. Total the watts for each item. If the nameplate only gives volts and amps, multiply volts x amps = watts.  
**1 KW = 1,000 watts.**
4. Motorized appliances or tools require more than their rated wattage for start up.

**NOTE: Allow 2 1/2 to 4 times the listed wattage for starting equipment powered by electric motors.**

5. The generator's rated watts should match or exceed the total number of watts required for the equipment you want to run.
6. Always connect the heaviest load to the generator first, then add other items one at a time.

## OPERATING VOLTAGE



### CAUTION

**CAUTION: Operating voltage and frequency requirement of all electronic equipment should be checked prior to plugging them into this generator. Damage may result if the equipment is not designed to operate within a +/- 10% voltage variation, and +/- 3 hz frequency variation from the generator name plate ratings. To avoid damage, always have an additional load plugged into the generator if solid state equipment (such as a television set) is used. A power line conditioner is recommended for some solid state applications.**

A power line conditioner should be used when running one or more of the following solid state items:

- Garage door openers
- Kitchen appliances with digital displays
- Televisions
- Stereos
- Personal computers
- Quartz clocks
- Copy machines
- Telephone equipment

Other solid state equipment may require a power line conditioner. For more information, contact our Customer Service Department at 1-800-445-1805.

## INSTALLATION



### WARNING



**To avoid possible personal injury or equipment damage, a registered electrician or an authorized service representative should perform installation and all service. Under no circumstances should an unqualified person attempt to wire into a utility circuit.**

To avoid backfeeding into utility systems, isolation of the residence electrical system is required.

Before temporary connection of the generator to the residence electrical system, turn off the main service/disconnect.

If your generator is to be used as a stand-by power source in case of utility power failure, it should be installed by a registered electrician and in compliance with all applicable local electrical codes.

Proper use requires that a double throw transfer switch be installed by a licensed qualified electrician so that the building's electrical circuits may be safely switched between utility power and the generator's output, thereby preventing backfeed into the power utility's electrical system.



### WARNING



**To avoid backfeeding into utility systems, isolation of the residence electrical system is required. Before temporary connection of a generator to the residence electrical system turn off the main switch. Before making permanent connections a double throw transfer switch must be installed. To avoid electrocution or property damage, only a trained electrician should connect generator to residence electrical system. California law requires isolation of the residence electrical system before connecting a generator to residence electrical systems. Temporary connection not recommended due to backfeeding.**

**Always follow local codes and regulations that apply to the installation of any item that concerns this product.**

1. NFPA 70 - National Electrical Code.
2. NFPA 37 - Standard for Installation and Use of Stationary Combustible Engines.
3. Agricultural Wiring handbook of Farm Standby Electric Power.

## BEFORE OPERATION

### GROUNDING THE GENERATOR

The National Electric Code requires that this product be properly connected to an appropriate earth ground to help prevent electric shock. A ground terminal connected to the frame of the generator has been provided for this purpose. Connecting a length of heavy gauge (12 AWG min.) copper wire between the generator Ground Terminal and a copper rod driven into the ground should provide a suitable ground connection. However, consult with a local electrician to insure that local codes are being adhered to.



### WARNING



**Do not use a pipe carrying combustible material as the ground source.**

### LUBRICATION

**DO NOT** attempt to start this engine without filling the crank case with the proper amount and type of oil. Your generator has been shipped from the factory **without oil** in the crankcase. Operating the unit without oil can damage the engine.

Fill the engine with oil according to the operator manual. For units with a dipstick, fill oil to the proper level. Units without a dipstick should be filled to the top of the opening of the oil fill.

### LOW OIL SENSOR

The unit is equipped with a low oil sensor. If the oil level becomes lower than required, the sensor will activate a warning device or stop the engine.

If generator shuts off and the oil level is within specifications, check to see if generator is sitting at an angle that forces oil to shift. Place on an even surface to correct this. If engine fails to start, the oil level may not be sufficient to deactivate low oil level switch. Make sure the sump is completely full of oil.

### FUEL

Fill the tank with clean, fresh unleaded automotive gasoline. Regular grade gasoline may be used provided a high octane rating is obtained (at least 85 pump octane). We recommend always using a fuel stabilizer. A fuel stabilizer will minimize the formulation of fuel gum deposits during storage. The fuel stabilizer can be added to the gasoline in the fuel tank, or into the gasoline in a storage container.



### CAUTION



**Do not overfill the tank. Keep maximum fuel level 1/4 inch below the top of the fuel tank. This will allow expansion in hot weather and prevent overflow.**

## GENERATOR FEATURES

### A. Control Panel

### B. 120 V, 20 Ampere Duplex Receptacle

20 amps of current may be drawn from each half of the receptacle. However, total power drawn must be kept within nameplate ratings. These receptacles may be used along with the twistlock receptacle provided the generator is not overloaded.

### C. 120/240 V, 30 Ampere Twistlock Receptacle

A maximum of 30 amps may be drawn from the 120/240 volt receptacle, provided it is the only receptacle used. However, current must be limited to the nameplate rating. If the 120/240 volt receptacle is used along with the 120 volt receptacle, the total load drawn must not exceed the nameplate ratings.

### D. Circuit Breaker

The receptacles are protected by an AC circuit breaker. If the generator is overloaded or an external short circuit occurs, the circuit breaker will trip. If this occurs, disconnect all electrical loads and try to determine the cause of the problem before attempting to use the generator again. If overloading causes the circuit breaker to trip, reduce the load. **NOTE: Continuous tripping of the circuit breaker may cause damage to generator or equipment.** The circuit breaker may be reset by switching to the **ON** position.

### E. Engine On/Off Switch

### F. Oil Warning Light

### G. 12 HP OHV Engine

### H. Recoil Starter

### I. Engine Choke Lever

### J. Oil Filler Cap

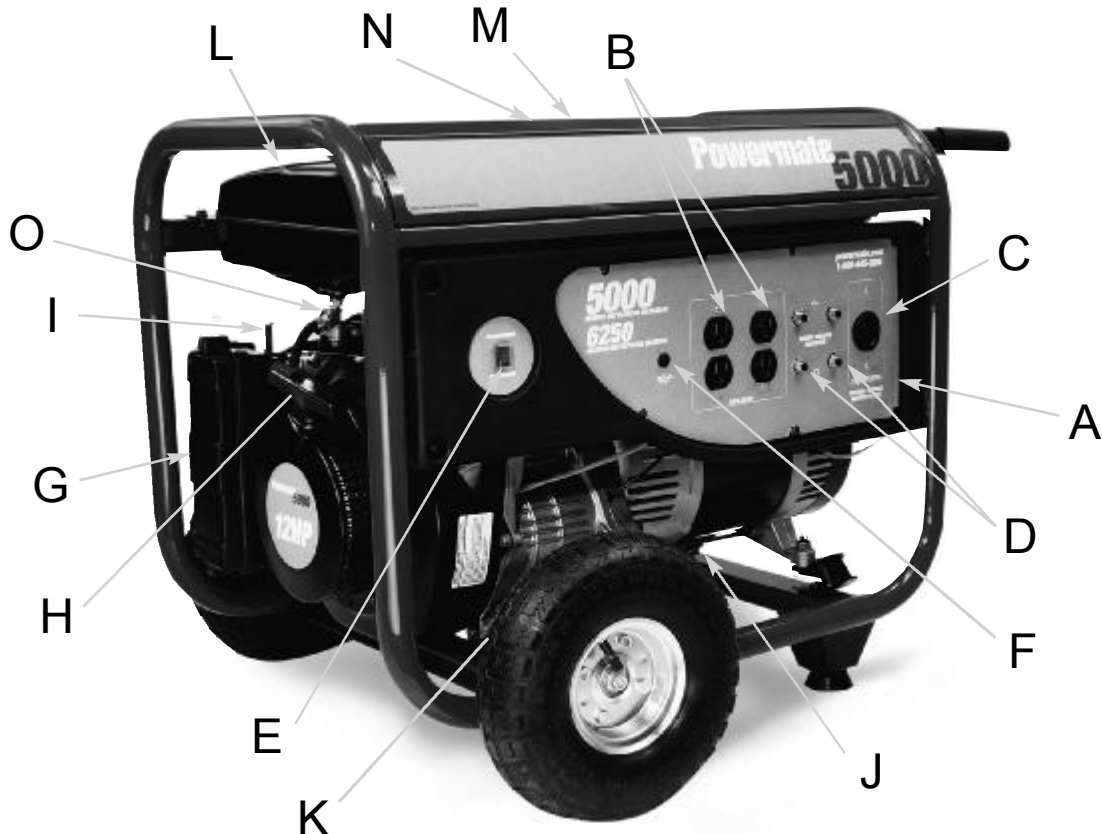
### K. Oil Drain Plug

### L. 5.8 Gallon Metal Fuel Tank

### M. Fuel Tank Cap

### N. Fuel Gauge

### O. Fuel Shut-Off





# PORTABILITY KIT INSTALLATION

**TOOLS REQUIRED:** 10mm, 13mm, and 16mm sockets and ratchets, block(s) of wood (minimum of 6" tall).  
**Refer to the parts list on page 37.**

## WHEEL INSTALLATION

1. Block up the engine end of generator to install wheel kit.
2. Insert wheel spacer (**item 109**) into the center of the wheel (**item 108**).
3. Slide M10 x 95 bolt (**item 107**) through the wheel (**item 108**), then through the wheel bracket on the carrier, with the offset side of the wheel hub against the wheel bracket.
4. Thread M10 nut (**item 110**) onto the bolt and tighten to securely clamp the wheel assembly to the carrier.
5. Repeat above instructions for the remaining wheel.

## FOOT INSTALLATION

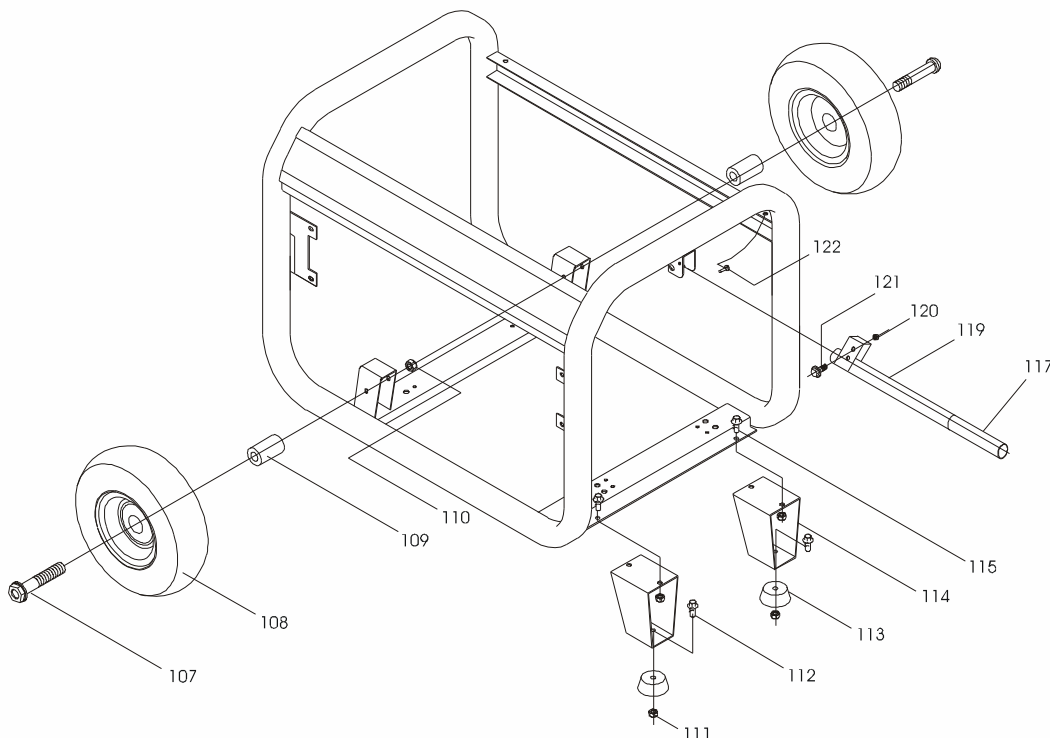
1. Assemble the rubber foot (**item 113**) to the foot bracket (**item 114**) using a M8 x 30 screw (**item 112**). Thread a M8 nut (**item 111**) to the screw to secure the assembly.
- Caution: Do not over tighten so that the foot material collapses.**
2. Blocking up the alternator side of the generator, place the foot bracket under the carrier channel. Thread a M8 x 15 screw (**item 115**) through the mounting holes and thread a M8 nut (**item 111**) to the bolt to secure the foot bracket to the carrier.
3. Repeat above instructions for the remaining foot.

## HANDLE INSTALLATION

1. Place handle (**item 119**) on carrier on same end as feet, as shown in the diagram.
2. Slide M6 x 28 screw (**item 121**) through handle and handle bracket as shown in diagram and secure with M6 nut (**item 120**). Tighten until handle is securely clamped to the carrier.
3. Apply aerosol hairspray or similar adhesive to the handle (**item 119**), and then slide the handle grip (**item 117**) onto the handle. The aerosol hairspray will allow for easier assembly and will adhere the grip to the handle.

## LOCKING HANDLE

1. Attach the lanyard (**item 118**) to the release pin (**item 122**) and carrier as shown in the illustration.
2. To lock the handle (**item 119**) in the extended position, align the holes in the handle bracket with the holes in the carrier bracket and insert the release pin (**item 122**).





## STARTING THE UNIT



### WARNING



Gasoline is very dangerous. Serious injury or death may result from fire caused by gasoline contacting hot surfaces.

1. Do not fill fuel tank with engine running.
2. Do not spill fuel while refilling tank.
3. Do not mix oil with gasoline.
4. Follow all instructions and warnings in the operator manual.

#### PRE-START PREPARATION

Before starting the generator, check for loose or missing parts and for any damage which may have occurred during shipment.



### WARNING



This generator must not be operated without all factory installed heat shields in place. Failure to comply may cause the fuel tank to overheat and result in personal injury from fire.

#### STARTING THE ENGINE

1. Check oil level and fuel.
2. Disconnect all electrical loads from the unit.
3. Open fuel shut off valve.
4. Adjust choke as necessary.
5. Set the engine switch to the "ON" position.
6. Pull on the starter rope with fast steady pull. As the engine warms up, readjust the choke. On electric start models, turn the key switch to "START". Release key switch after the engine starts.



### CAUTION



Allow generator to run at no load for five minutes upon each initial start-up to permit engine and generator to stabilize.



### DANGER



- Provide adequate ventilation for toxic exhaust gases and cooling air flow.
- Do not start or run the generator in an enclosed area, even if door or windows are open.
- Engines give off carbon monoxide, an odorless, colorless, poison gas.
- Breathing carbon monoxide can cause nausea, fainting or death.

#### APPLYING LOAD

This unit has been pretested and adjusted to handle its full capacity. When starting the generator, disconnect all load. Apply load only after generator is running. Voltage is regulated via the engine speed adjusted at the factory for correct output. Readjusting will void warranty.



### CAUTION



When applying a load, do not exceed the maximum wattage rating of the generator when using one or more receptacles. Also, do not exceed the amperage rating of any one receptacle.



### CAUTION



Do not apply heavy electrical load during break-in period (the first two to three hours of operations).

#### SHUTTING THE GENERATOR OFF

1. Remove entire electrical load.
2. Let the engine run for two minutes without load.
3. Move the engine switch to the "OFF" position. (Turn the key switch to "OFF" on the electric start models).
4. Do not leave the generator until it has completely stopped.
5. Close the fuel shut off valve if the engine is to be put in storage or transported.
6. If a cover is used, do not install until unit has cooled.

## PERIODIC MAINTENANCE

ITEM	NOTES	Daily (Before operation)	Initial 20 hours	Every 50 hours	Every 100 hours
Spark Plug	Check condition. Adjust gap and clean. Replace if necessary.			✓	
Engine Oil	Check oil level.	✓			
	Replace.		✓		✓
Air Filter	Clean, replace if necessary.			✓	
Fuel Filter	Clean fuel filter and fuel tank strainer. Replace if necessary.				✓
Fuel Line	Check fuel hose for cracks or other damage. Replace if necessary.	✓			
Exhaust System	Check for leakage. Retighten or replace gasket if necessary.	✓			
	Check muffler screen. Clean/replace if necessary.				✓
Carburetor	Check choke operation.	✓			
Starting System	Check recoil starter operation.	✓			
Fittings/ Fasteners	Check. Replace if necessary.				✓

## MAINTENANCE

### SPARK PLUG

Remove the spark plug and clean the electrodes section with a wire brush or sandpaper. Next, set the gap at .028/.031 inches (0.7-0.8 mm) by adjusting the negative electrode. Replace the spark plug with correct torque: 14 ft-lb (20 N.m)



## CAUTION

**Replace with only the same type of spark plug which was removed. An improper spark plug can cause the engine to overheat, emit smoke, or otherwise perform poorly.**

### OIL TYPE

Use new good quality oil, SE, SF, or SD grade. The oil to be used depends upon the temperature at which the engine is operated:

Below 32° F (0° C) . . . . .SAE 10W, 10W-30, or 10W-40  
 32 to 80° F (0 to 25° C) . . . . .SAE 20W, 10W-30, or 10W-40  
 80 to 95° F (25 to 35° C) . . . . .SAE 30W, 10W-30, or 10W-40  
 Above 95° F (35° C) . . . . .SAE 40W

### OIL REPLACEMENT

1. Change oil while engine is warm.
2. Place the generator unit on a level surface.
3. Remove the oil filler cap.
4. Open the oil drain plug and let oil drain completely into a pan placed under the engine.
5. Check gaskets. Replace if required.
6. Reinstall the oil drain plug and refill engine with clean oil.
7. Replace the oil filler cap.

### AIR FILTER CLEANING

1. Unscrew the air filter cover.
2. Remove filter element and wash well in solvent.
3. Pour a small amount of oil onto the filter element and gently squeeze out any excess oil.
4. Replace the filter element and air filter cover.
5. Be sure the filter cover seals properly all around.

### FUEL VALVE FILTER CLEANING

1. Remove the cup at the bottom of the fuel valve with a small wrench.
2. Remove the fuel valve filter.
3. Clean and wash out the filter and cup and replace.

### FUEL STRAINER CLEANING

1. Remove the plastic fuel strainer, located below the fuel tank cap.
2. Wash the strainer in solvent and replace.

**EXCITING THE GENERATOR:**

If there is a loss of residual magnetism (voltage will not build up), it may be necessary to re-excite the unit.

**NOTE: Your generator is a brushless unit. Please contact your local service center or the Powermate Corporation Product Service Department for assistance with exciting your generator.**

**HEAT SHIELD:**

Inspect to ensure that all heat shields and heat deflectors are intact and in place. Do not remove any parts or modify parts. Removing or modifying parts could cause serious damage to the unit.

**ENGINE: Carburetor Icing**

During the winter months, rare atmospheric conditions may develop which will cause an icing condition in the carburetor. If this develops, the engine may run rough, loose power, and may stall. Call Product Service for more information.

**QUICK STARTING TIPS FOR UNITS THAT HAVE BEEN SITTING FOR AWHILE:**

If your unit has been sitting around for a long time period and is hard to start, try doing some of these easy steps before calling the Customer Hotline.

1. Check the oil level.
2. Replace the old fuel.
3. Change the spark plug.
4. Check the fuel lines. Make sure the fuel valve is open.
5. Check all generator parts for integrity.
6. Clean the Carburetor.

**INFREQUENT SERVICE**

If the unit is used infrequently, difficult starting may result. To eliminate hard starting, run the generator at least 30 minutes every month. Also, if the unit will not be used for some time, it is a good idea to drain the fuel from the carburetor and gas tank.

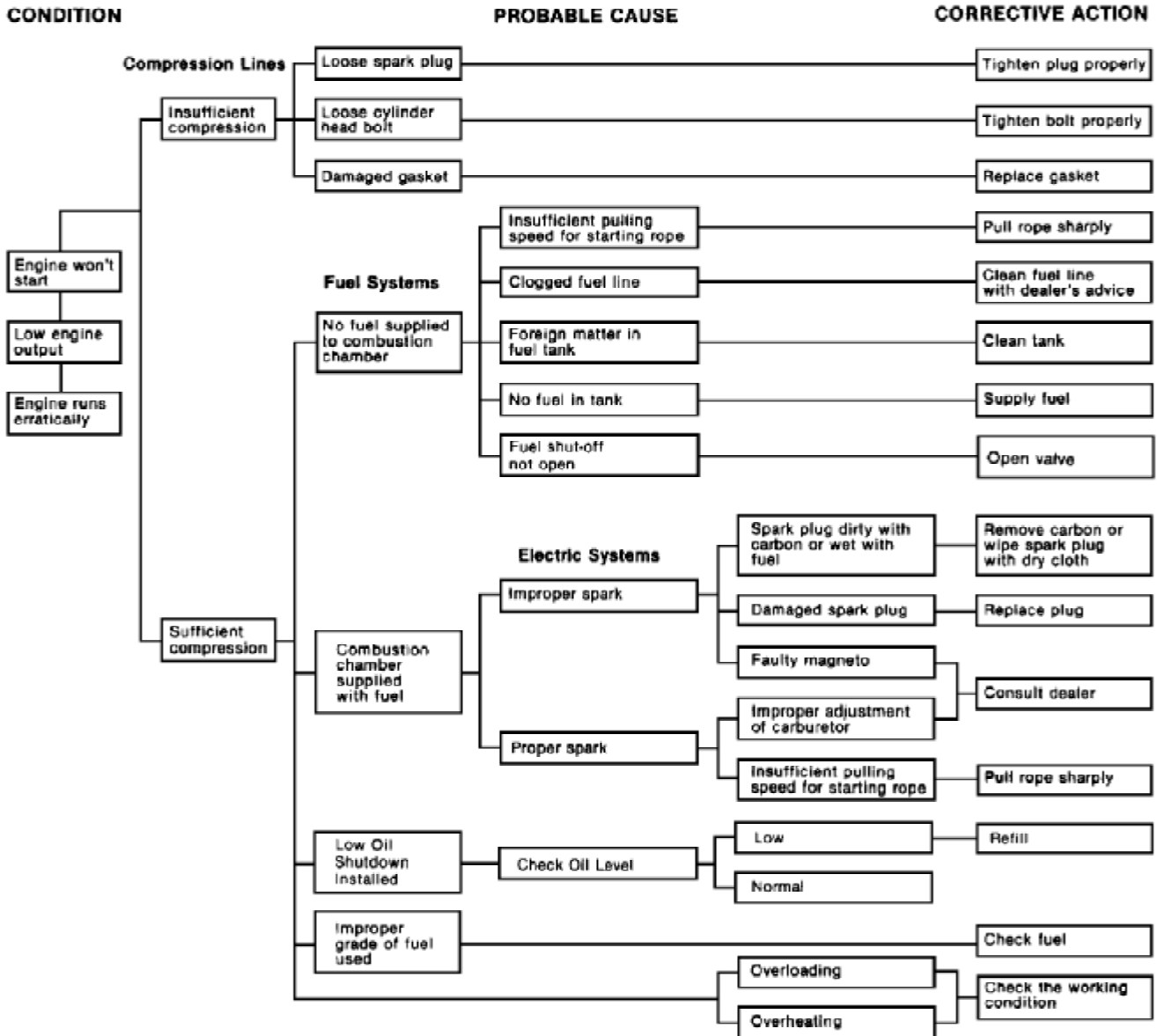
**LONG TERM STORAGE**

When the generator set is not being operated or is being stored more than one month, follow these instructions:

1. Replenish engine oil to upper level.
2. Drain gasoline from fuel tank, fuel line and carburetor.
3. Pour about one teaspoon of engine oil through the spark plug hole, pull the recoil starter several times and replace the plug. Then pull the starter until you feel the piston is on its compression stroke and leave it in that position. This closes both the intake and exhaust valves to prevent the inside of the cylinder from rusting.
4. Cover the unit and store in a clean, dry place that is well ventilated away from open flame or sparks.

**NOTE: We recommend always using a fuel stabilizer. A fuel stabilizer will minimize the formulation of fuel gum deposits during storage. The fuel stabilizer can be added to the gasoline in the fuel tank, or into the gasoline in a storage container.**

# ENGINE TROUBLESHOOTING



# ENGINE SPECIFICATIONS

Type	. . . . . 4-stroke, single cylinder, gasoline, OHV
Displacement	. . . . . 357 cc, 21.79 cubic inches
Maximum HP	. . . . . 12 HP @ 4000 rpm
Starting System	. . . . . Recoil (electronic ignition)
Driving System	. . . . . Direct coupling, tapered crank
Oil Capacity	. . . . . 37 oz. (1.1 L)
Spark Plug	. . . . . Champion RN14YC or equivalent
Governor	. . . . . Mechanical (adjustable)
Cooling System	. . . . . Forced air cooling
Bore x Stroke	. . . . . 85 X 63 mm (3.35 x 2.48 in.)
Carburetor Type	. . . . . Float
Air Cleaner Type	. . . . . Foam element

**CONTACT THE  
POWERMATE CORPORATION  
PRODUCT SERVICE  
DEPARTMENT AT  
1-800-445-1805  
to obtain warranty service  
information or to order  
replacement parts or  
accessories.**

**HOW TO ORDER REPLACEMENT PARTS**

Even quality built equipment such as the electric generator you have purchased, might need occasional replacement parts to maintain it in good condition over the years. To order replacement parts, please give the following information:

1. Model No. and Serial No. and all specifications shown on the Model No./Serial No. plate.
2. Part number or numbers as shown in the Parts List section.
3. A brief description of the trouble with the generator.

**Powermate Corporation  
4970 Airport Road  
P. O. Box 6001  
Kearney, NE 68848  
1-800-445-1805**

**Warranty Coverage:** Powermate Corporation (the Company) warrants to the original retail customer in North America that it will repair or replace, free of charge, any parts found by the Company or its authorized service representative to be defective in material or workmanship. This warranty covers the cost of replacement parts and labor for defects in material or workmanship.

**Not Covered:**

- Transportation charges for sending the product to the Company or its authorized service representative for warranty service, or for shipping repaired or replacement products back to the customer; these charges must be borne by the customer.
- If a separate operator's manual and engine warranty from the engine manufacturer is included with this product, only that warranty will apply to the engine.
- Damages caused by abuse or accident, and the effects of corrosion, erosion and normal wear and tear.
- Warranty is voided if the customer fails to install, maintain and operate the product in accordance with the instructions and recommendations of the Company set forth in the owner's manual, or if the product is used as rental equipment.
- The Company will not pay for repairs or adjustments to the product, or for any costs or labor, performed without the Company's prior authorization.

**Warranty Period:** One (1) year from the date of purchase on products used solely for consumer applications; if a product is used for business or commercial applications, the warranty period will be limited to ninety (90) days from the date of purchase. For warranty service, the customer must provide dated proof of purchase and must notify the Company within the warranty period.

**For warranty service: Call toll free 800-445-1805, or write to Powermate Corporation, Product Services, 4970 Airport Road, P. O. Box 6001, Kearney, NE 68848.**

**EXCLUSIONS AND LIMITATIONS:** THE COMPANY MAKES NO OTHER WARRANTY OF ANY KIND, EXPRESS OR IMPLIED. IMPLIED WARRANTIES, INCLUDING WARRANTIES OF MERCHANTABILITY AND OF FITNESS FOR A PARTICULAR PURPOSE, ARE HEREBY DISCLAIMED. THE WARRANTY SERVICE DESCRIBED ABOVE IS THE EXCLUSIVE REMEDY UNDER THIS WARRANTY; LIABILITY FOR INCIDENTAL AND CONSEQUENTIAL DAMAGES IS EXCLUDED TO THE EXTENT PERMITTED BY LAW.

This warranty gives you specific legal rights, and you may also have other rights which vary from state to state. Some states do not allow a disclaimer of implied warranties, or the exclusion or limitation of incidental and consequential damages, so the above disclaimers and exclusions may not apply to you.

## SÉCURITÉ



### DANGER

DANGER signifie une situation susceptible de présenter un danger qui, s'il n'est pas évité, CAUSERA de sérieuses blessures, voire la mort.



### AVERTISSEMENT

L'AVERTISSEMENT Indique une situation présentant un danger potentiel et qui, en l'absence d'intervention, pourrait conduire à la mort ou entraîner de graves blessures.



### ATTENTION

La mention ATTENTION sert à prévenir l'utilisateur d'un danger potentiel qui risque d'occasionner des dommages ou des blessures légères ou modérées.

## RÈGLES D'OPÉRATION ET DE SÉCURITÉ



**AVERTISSEMENT - L'inobservation des présentes consignes et l'ignorance des avertissements qui en découlent risquent de causer des blessures et des dommages ou d'entraîner la mort.**

1. Lire attentivement le guide d'utilisation, puis s'assurer de les comprendre avant de mettre l'appareil en marche. Observer l'ensemble des avertissements et des directives s'y rapportant.
2. Se familiariser avec l'appareil et tenir compte des domaines d'usage, des restrictions et des risques potentiels qui découlent de son utilisation.
3. On doit placer l'équipement sur un support plat et solide
4. La charge doit être dans les normes spécifiées sur la plaque signalétique de l'appareil. Toute surcharge abîme l'appareil et en raccourcit la durée de vie utile.
5. Le moteur ne doit pas tourner à des vitesses excessives car ceci augmente les risques de blessures personnelles.  
**Ne touchez pas aux pièces ce qui pourrait augmenter ou réduire la vitesse réglée.**
6. Afin d'empêcher les démarrages imprévus, toujours enlever la bougie ou le câble de la bougie avant d'ajuster le groupe électrogène ou le moteur.
7. Un appareil dont les pièces sont cassées, auquel il manque des pièces ou qui n'a pas de carter ou de coquille protectrice ne doit en aucun cas être utilisé. Contacter notre service après-vente pour des pièces de rechange.
8. Ne pas faire fonctionner ou entreposer l'appareil dans un endroit humide ni sur une surface mouillée, ni dans un endroit où il sera en contact avec des surfaces conductrices telles que des planchers ou armatures métalliques.



9. Garder l'appareil propre et libre de toute huile, boue ou autre matière étrangère.
10. Les rallonges, les cordons d'alimentation et tout appareil électrique doivent être en bon état. Ne jamais faire fonctionner un appareil électrique dont le cordon d'alimentation est abîmé ou défectueux.
11. Rangez le nettoyeur haute pression dans un endroit bien ventilé, réservoir d'essence vide. On ne doit pas ranger l'essence près du groupe électrogène.
12. Vous ne devez jamais utiliser votre appareil sous ces conditions:
  - a. Modification irrépressible du régime moteur.
  - b. Perte de puissance électrique.
  - c. Surchauffe d'appareils connectés.
  - d. Jaillissement d'étincelles.
  - e. Prises endommagées.
  - f. Le moteur a des ratés.
  - g. Vibrations excessives.
  - h. Flammes ou fumée.
  - i. Compartiment fermé.
  - j. Temps mauvais ou pluvieux. Éviter d'exposer l'appareil à l'humidité en cours de fonctionnement.
13. Vérifiez le système de carburant régulièrement pour toute fuite ou signes de détérioration tels un tuyau spongieux ou usé, une bride qui manque ou desserrée ou un réservoir ou couvercle endommagé. On doit corriger ces problèmes avant de faire fonctionner l'appareil.
14. Le fonctionnement, l'entretien et le ravitaillement en carburant de l'appareil ne doivent se faire que dans les conditions suivantes :
  - a. **Faites démarrer et fonctionner la génératrice à l'extérieur. Ne faites jamais fonctionner la génératrice dans un endroit clos, même si les portes et les fenêtres sont ouvertes. Évitez les endroits où les vapeurs peuvent être enfermées, comme des fosses, des garages, des caves, des excavations et des fonds de cale de bateau.**



## **DANGER - RISQUE D'ÉMISSION DE MONOXYDE DE CARBONE :**

**L'échappement des moteurs contient du monoxyde de carbone, un gaz toxique, inodore et invisible qui, s'il est respiré, peut causer de sérieuses blessures, voire la mort. Si vous ne vous sentez pas bien, êtes pris d'étourdissement ou vous sentez faible en utilisant la génératrice, mettez-la hors tension et respirez de l'air frais immédiatement car vous souffrez peut-être d'un empoisonnement au monoxyde de carbone.**

**b. Bonne aération pour le refroidissement. Le débit d'air et la température sont importants pour les systèmes à refroidissement à air. La température ne devrait pas dépasser 104° F (40° C).**

c. Refaites le plein du groupe électrogène dans un endroit bien éclairé. Évitez les débordements de carburant et ne refaites jamais le plein lorsque l'appareil est en marche.

d. Ne faites pas le plein près de flammes nues, de veilleuses ou d'équipement électrique projetant des étincelles comme les outils électriques, les soudeuses et les meuleuses.

e. Le silencieux et le filtre à air doivent toujours être en place et en bon état puisqu'ils jouent le rôle de coupe-flammes s'il y a des ratés.

f. Ne pas fumer près du générateur.

15. S'assurer que l'appareil est correctement posé sur le sol. (Voir la section «Mise en place de l'appareil» dans le présent manuel.)



16. Ne portez pas de vêtements amples, de bijoux ou toute autre chose qui pourrait se prendre dans le démarreur ou autres pièces rotatives.

17. L'appareil doit atteindre son régime de fonctionnement avant que toute charge y soit connectée. Débrancher toute charge avant d'arrêter le moteur.

18. Afin d'empêcher les pointes de tension qui pourraient endommager les appareils branchés sur la génératrice, ne pas laisser le moteur tomber en panne de carburant pendant que des appareils sont branchés dessus.

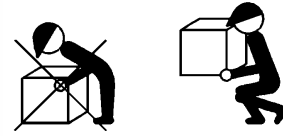
19. Lorsque vous utilisez de l'équipement en solide, vous devriez utiliser un protecteur de surtension pour éviter d'endommager l'équipement.

20. Ne rien mettre dans les fentes d'aération, même quand l'appareil n'est pas en marche. Ceci pourrait l'abîmer ou provoquer des blessures.

21. Avant de transporter la génératrice dans un véhicule, le vider de tout carburant afin

d'empêcher les fuites.

22. Pour transporter l'appareil d'un site à l'autre, utilisez les bonnes techniques de levage sinon vous pourriez vous blesser.



23. Pour éviter les brûlures, ne touchez pas au silencieux du moteur ou à toute autre surface du moteur ou du générateur qui se réchauffe durant le fonctionnement.

## **PARE-ÉTINCELLES**

**VOTRE PRODUIT PEUT NE PAS ÊTRE MUNI D'UN SILENCIEUX PARE-ÉTINCELLES.** S'il doit être utilisé à proximité de matériaux inflammables tels que récoltes, forêts, broussailles, herbes ou autres, il est fortement recommandé d'installer un pare-étincelles, par ailleurs obligatoire en Californie. Les articles de la loi californienne relatifs à l'usage de pare-étincelles sont les suivants : 13005(b), 4442 et 4443. L'usage d'un pare-étincelles est également exigé sur certains des territoires du service des Forêts américain et peut également l'être par d'autres lois et règlements. Un pare-étincelles homologué est disponible auprès de notre concessionnaires ou peut être commandé à Powermate Corporation, P. O. Box 6001, Kearney, Nebraska 68848. Téléphone : 1-800-445-1805.

## **DÉTERMINATION DE LA PUISSANCE TOTALE NÉCESSAIRE**

Afin d'éviter à la génératrice la surcharge et les dommages possibles, il faut connaître la puissance totale de la charge branchée. Pour déterminer quels outils et/ou quels appareils peuvent fonctionner avec votre générateur, suivez ces étapes :

1. Déterminez si vous désirez faire fonctionner un ou plusieurs appareils simultanément.
2. Vérifiez les exigences normales pour démarrer et faire fonctionner les appareils voulus en vous reportant à la plaque signalétique de charge ou en effectuant ce calcul (multipliez les ampères x volts = watts).
3. Additionnez le nombre de watts de démarrage et de fonctionnement de chaque appareil. Toutefois, la plaque signalétique de l'équipement vous donnera des chiffres de consommation d'électricité plus exacts. Si la plaque ne vous donne que des volts et des ampères, multipliez les volts par les ampères = watts. 1KW = 1 000 watts.
4. Les appareils ou les outils à moteur exigent plus que leur puissance indiquée pour le démarrage.

**REMARQUE : Prévoir 2 1/2 - 4 fois la puissance indiquée pour la mise en marche de l'appareil.**



5. La puissance nominale du générateur devrait être égale ou supérieure au nombre total de watts nécessaires au fonctionnement de l'équipement à alimenter.
6. Branchez toujours d'abord la charge la plus lourde au générateur, puis ajoutez les autres une à une.

## VÉRIFIER LA TENSION



## ATTENTION

**ATTENTION : Vérifier la tension et la fréquence requises avant de brancher tout équipement électronique sur le générateur. Le générateur peut se trouver endommagé si les appareils branchés ne sont pas prévus pour fonctionner à une tension égale à  $\pm 10\%$  et une fréquence égale à  $\pm 3$  hz de celles indiquées sur la plaque signalétique du générateur. Pour éviter tout dommage, toujours brancher une charge additionnelle sur le générateur lorsqu'un appareil à circuits intégrés (tel qu'un téléviseur) est utilisé. Une varistance peut être aussi nécessaire pour certaines applications, dans le cas d'un ordinateur, par exemple. Une varistance peut être aussi nécessaire pour certaines applications de l'équipement en solide.**

Il est préférable d'utiliser un filtre de secteur lors de la mise en fonction d'un ou de plusieurs des composants à semiconducteurs suivants:

- Ouvres-portes de garage
- Appareils de cuisine à affichage digital
- Téléviseurs
- Stéréos
- Ordinateurs personnel
- Pendules à quartz
- Machines à photocopier
- Équipement téléphonique

D'autres composants à semiconducteurs peuvent nécessiter l'usage d'un filtre de secteur. Pour de plus amples renseignements à cet égard, prière de contacter le service à la clientèle en composant le numéro de téléphone 1 800 445 1805.

## INSTALLATION



## AVERTISSEMENT



**Pour éviter toute blessure et tout dommage aux appareils, faire effectuer l'installation électrique et toutes réparations par un électricien licencié ou un spécialiste du service après-vente agréé. En aucune circonstance, une personne non qualifiée ne doit-elle essayer de réaliser le câblage sur l'installation électrique existante.**

Pour éviter les retours de courant dans l'installation électrique de la maison, il est nécessaire d'assurer son isolation.

Avant de procéder au raccordement temporaire du générateur au système électrique de la résidence, débrancher le sectionneur du réseau d'alimentation principal.

Si du générateur est utilisée comme source auxiliaire en cas de panne de courant, il doit être installé par un électricien qualifié et en conformité avec tous les codes locaux applicables.

Pour que l'installation soit correcte, un commutateur de transfert à deux directions doit être installé par un électricien qualifié et licencié de façon à ce que les circuits électriques du bâtiment puissent être commutés du secteur au générateur sans danger, empêchant ainsi les retours de courant dans le secteur.



## AVERTISSEMENT



**Pour éviter les retours de courant dans le secteur, il est nécessaire d'assurer l'isolation électrique de la maison. Avant d'effectuer la connexion temporaire du générateur sur l'installation électrique de la maison, couper le courant à l'interrupteur principal. Avant de réaliser des connexions permanentes, installer un commutateur de transfert à deux directions. Pour éviter toute électrocution ou des dommages matériels, faire connecter le générateur à l'installation électrique de la maison par un électricien qualifié. Les lois californiennes exigent l'isolation de l'installation électrique de la maison avant d'y connecter un groupe électrogène. Il n'est pas recommandé de procéder au raccordement temporaire de l'appareil en raison de la réalimentation.**

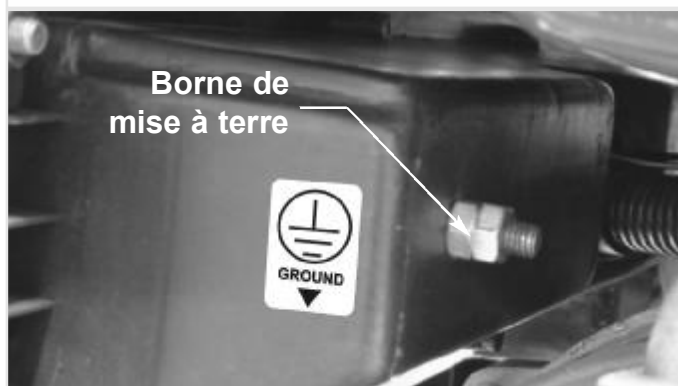
**Toujours observer les codes et règlements locaux qui s'appliquent à l'installation de tout appareil compatible avec ce produit.**

1. NFPA 70 - Code national de l'électricité.
2. NFPA 37 - Norme d'installation et d'utilisation des moteurs fixes à combustible.
3. Manuel de câblage du réseau d'alimentation de secours des appareils agricoles.

### MISE EN PLACE DE L'APPAREIL

Selon les recommandations stipulées dans le Code national de l'électricité, cet appareil doit faire l'objet d'un raccordement adéquat à une prise de terre afin de prévenir tout risque d'électrocution. Une borne de mise à la terre connectée au bâti du générateur est prévue à cet effet. Le branchement d'un fil de cuivre de fort calibre (AWG 12 minimum) et de bonne longueur entre la borne de mise à la terre du générateur et un fil machine en cuivre enfoncé dans cette dernière devrait fournir une bonne mise à la terre. Consulter néanmoins un électricien agréé afin de vous assurer que le tout est conforme aux codes locaux.

#### L'EMPLACEMENT DE BORNE DE MIS À TERRE:



### AVERTISSEMENT



**Ne pas utiliser une conduite transportant un matériau combustible comme source de mise à la terre.**

### LUBRIFICATION

NE PAS essayer de faire démarrer le moteur avant d'avoir rempli le carter d'huile, en utilisant la quantité et le type d'huile appropriés. Le groupe électrogène est expédié de l'usine avec le carter vide. Un moteur qui tourne sans huile dans le carter peut se trouver détruit.

Remplir le moteur d'huile selon les directives énoncées dans le manuel de l'opérateur. Dans le cas des appareils dotés d'une jauge d'huile, remplir au niveau adéquat. Les appareils qui en sont dépourvus doivent faire l'objet d'un remplissage jusqu'à l'ouverture supérieure du goulot.

### LE DETECTEUR DE BAS NIVEAU D'HUILE

Le système est équipé d'un détecteur de bas niveau d'huile. Quand l'huile descend au-dessous du niveau limite, le détecteur activera un appareil qui avertit ou arrête le moteur.

Si le groupe électrogène s'arrête mais qu'il y a suffisamment d'huile, vérifier s'il se trouve sur un plan incliné, entraînant l'accumulation d'huile à une extrémité de l'appareil. Si c'est le cas, remettre l'appareil de niveau. Si elle ne démarre encore pas, il est possible que le niveau d'huile ne soit pas assez élevé pour couper le dispositif d'arrêt. Vérifier le voyant indicateur de niveau d'huile tout en tirant sur le lanceur. Si le voyant clignote, ajouter de l'huile. Veiller à ce que le carter soit complètement rempli d'huile.

### CARBURANT

Remplir le réservoir d'essence automobile sans plomb fraîche et libre de toute impureté. De l'essence ordinaire peut être utilisée, à condition qu'elle ait un indice d'octane élevé (85 octane minimum). Il est recommandé d'utiliser en tout temps le stabilisateur de carburant, ce qui permettra de réduire la formation de dépôts de gomme dans le carburant lors de son entreposage. On peut ajouter le stabilisateur à l'essence en le versant soit dans le réservoir de carburant, soit dans un récipient d'entreposage.



### ATTENTION



**Ne pas trop remplir le réservoir. Maintenir le niveau d'essence maximum à un centimètre au-dessous du haut du réservoir. Ceci permet l'expansion du carburant pendant les périodes de chaleur et empêche l'essence de déborder.**

**A. Tableau de commande**

**B. Prise double de 120 V, 20 A**

20 ampères de courant peuvent être dessinés de chaque moitié de la prise. La charge totale doit cependant rester dans les limites indiquées sur la plaque signalétique. Ces prises peuvent s'utiliser en conjonction avec la prise à verrouillage à condition que le générateur ne soit pas surchargée.

**C. Prise à verrouillage de 120/240 V, 30 A**

Cette prise de 120/240 V fournit un maximum de 30 A à condition que ce soit la seule utilisée. La charge totale doit par ailleurs rester dans les limites indiquées sur la plaque signalétique. Si la prise de 120/240 V est utilisée en conjonction avec les prises de 120 V, la charge totale ne doit pas dépasser les limites indiquées sur la plaque.

**D. Disjoncteurs**

Les prises sont protégées par un disjoncteur alternatif. En cas de surcharge ou de court-circuit extérieur, le disjoncteur saute. Si cela se produit, débrancher tout appareil relié au groupe électrogène et essayer de déterminer la cause du problème avant d'essayer de le réutiliser. Si le disjoncteur saute en raison d'une surcharge, réduire la charge.

**REMARQUE : Le groupe électrogène ou les appareils branchés dessus peuvent se trouver abîmés si le disjoncteur saute continuellement.** Le disjoncteur peut être remis à l'état initial en changeant au SUR la position.

**E. Commutateur On/Off (Sur/De) du moteur**

**F. Huiler l'Avertissement Allume**

**G. Moteur 12 HP OHV**

**H. Reculer le Démarreur**

**I. Levier d'arrêt du moteur**

**J. Remplissage à huile**

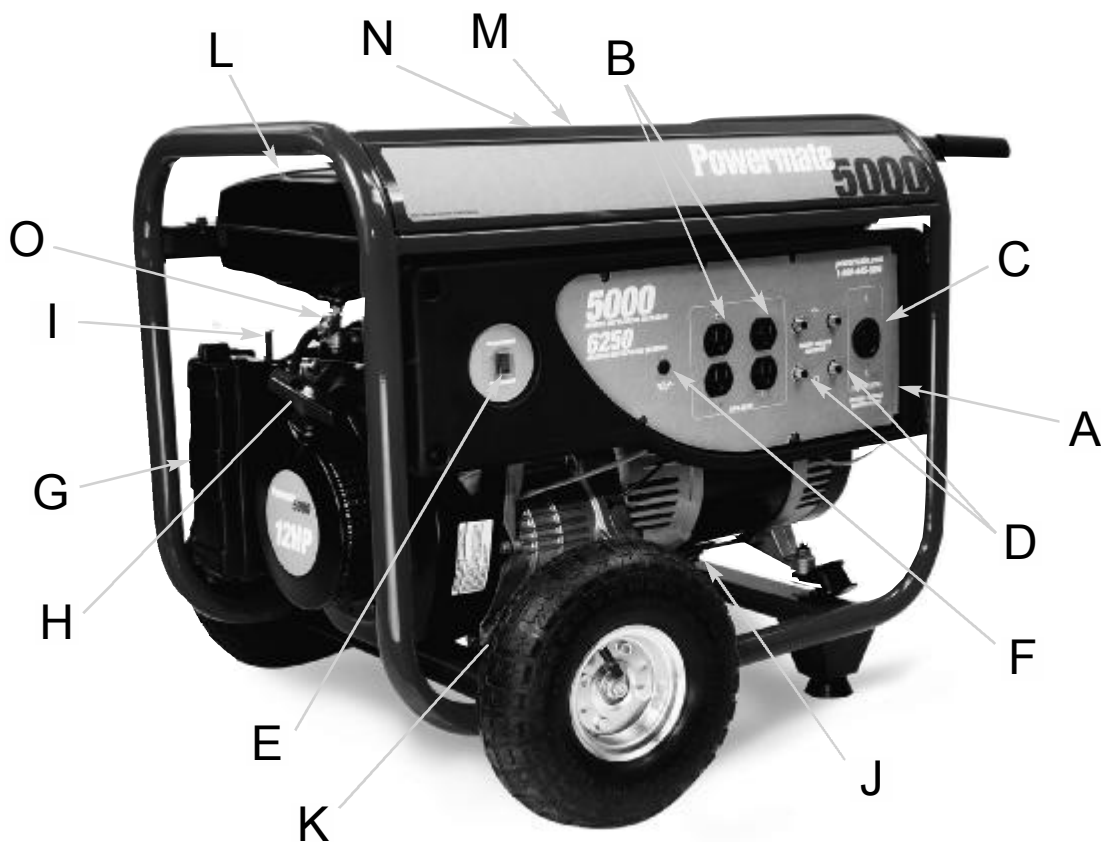
**K. Bouchon de vidange à huile**

**L. Réservoir de carburant en métal d'une contenance de 22 litres (5.8 gallons)**

**M. Capuchon de Réservoir**

**N. Jauge de carburant**

**O. Arrêt du carburant**



## L'INSTALLATION DE KIT DE TRANSPORT

**OUTILS NÉCESSAIRES :** Cliquet à rochet de 10mm, 13mm, et 16mm, blocs de bois (minimum de 6 po de hauteur)  
**Reportez-vous à la liste des pièces des page 37.**

### INSTALLATION DES ROUES

1. Le bloc en haut fin de moteur de générateur pour installer la trousse de roue.
2. Insérer une bague d'espacement (**article 109**) dans le centre de la roue (**article 108**).
3. Enfiler le boulon de M10 x 95 (**article 107**) dans la roue (**article 108**), puis dans le support de la roue sur le transporteur, en le plaçant de façon à ce que le côté le plus en creux du moyeu de la roue repose contre le support.
4. Enfiler l'écrou de M10 (**article 110**) sur le boulon et serrer de façon à bien fixer la roue sur la transporteur.
5. Procéder de la même façon pour l'autre roue.

### INSTALLATION DU PIED

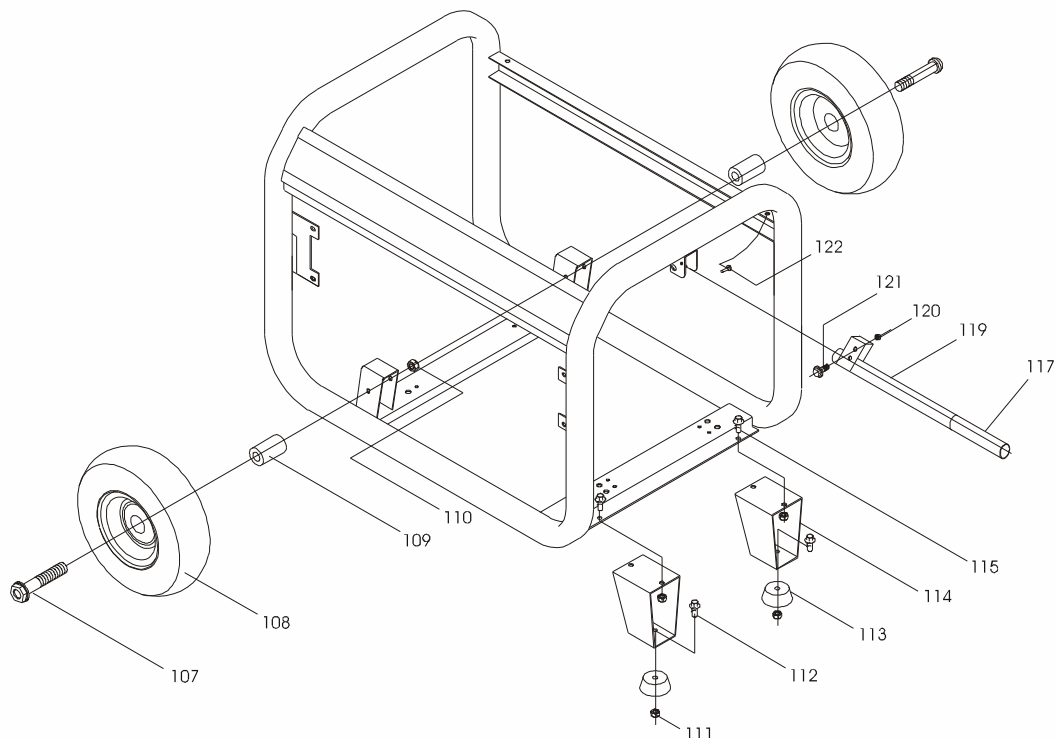
1. Monter le pied (**article 113**) sur le support de pied (**article 114**) au moyen d'un vis de M8 x 30 (**article 112**). Fixer l'ensemble en vissant sur le vis un écrou M8 (**article 111**). **Attention: ne pas trop serrer, pour ne pas écraser le matériau du pied.**
2. En bloquant le côté alternateur de la génératrice, mettre en place le support de pied sous le profilé en U. Visser un vis de M8 x 15 (**article 115**) dans les trous de fixation, puis visser sur le vis un écrou M8 (**article 111**), pour fixer le support de pied au profilé.
3. Procéder de la même façon pour l'autre pied.

### POSE DE LA POIGNEE

1. Mettre la poignée (**article 119**) sur la chariot du côté où se trouvent les pieds tel qu'indiqué sur le diagramme.
2. Insérer le vis de M6 x 28 (**article 121**) dans la poignée et support de poignée tel qu'indiqué sur le diagramme et fixer en place à l'aide de l'écrou de M6 (**article 120**). Serrer jusqu'à ce que la poignée soit bien fixée sur la chariot.
3. Appliquez un aérosol de laque ou un produit adhésif semblable sur la poignée (**article 119**) et faites ensuite glisser la prise (**article 117**) sur la poignée. L'emploi de l'aérosol de laque en facilitera l'assemblage et permettra à la prise de coller à la poignée.

### POIGNEE VERROUILLANT

1. Attacher le lanyards (**article 118**) aux épingles de relâchement (**article 122**) et le transporteur selon l'illustration.
2. Pour verrouiller la poignée (**article 119**) dans la position étendue, aligner les trous dans les support de poignée avec les trous dans les support de transporteur et insérer les épingles de relâchement (**article 122**).



## DEMARRAGE DE L'APPAREIL

### **AVERTISSEMENT**



L'essence est un produit très dangereux. Un incendie résultant du contact de l'essence avec des surfaces chaudes peut causer de graves blessures ou entraîner la mort.

1. Ne pas mettre de l'essence dans le réservoir quand le moteur est en marche.
2. Ne pas renverser d'essence lors du remplissage du réservoir.
3. Ne pas mélanger de l'huile à l'essence.
4. Nous vous invitons aussi à respecter les consignes et les avertissements énoncés dans le manuel de l'opérateur.

### PRÉPARATIFS AU DÉMARRAGE

Avant de mettre l'appareil en marche, vérifier qu'il ne manque aucune pièce, que toutes les pièces sont bien serrées et que l'appareil n'a pas été abîmée pendant le transport.

### **AVERTISSEMENT**



Ne pas faire fonctionner ce groupe électrogène sans les écrans de chaleur montés en usine en place. Le non-respect de cette consigne peut entraîner la surchauffe du réservoir de carburant et des blessures à la suite de l'incendie ainsi provoqué.

### DÉMARRAGE DU MOTEUR

1. Vérifiez le niveau d'huile et de carburant.
2. Débranchez toutes les charges électriques de l'appareil.
3. Ouvrez la vanne de fermeture de carburant.
4. Réglez le doseur au besoin.
5. Réglez l'interrupteur du moteur en position "ON".
6. Tirez sur la corde de lancement d'un coup rapide et sûr. Lorsque le moteur se réchauffe, réglez à nouveau le doseur. Pour les modèles à lancement électrique, appuyez sur le bouton localisé sur la tête du générateur ou tournez l'interrupteur sur "START" selon votre modèle. Après que le moteur démarre, relâchez l'interrupteur.

### **ATTENTION**



**ATTENTION :** Laisser le groupe électrogène fonctionner cinq minutes sans aucun appareil branché dessus au moment du démarrage initial pour permettre au moteur et au groupe électrogène de se stabiliser.



## **DANGER**



- Fournir une aération suffisante pour éliminer les gaz d'échappement toxiques et assurer le refroidissement du moteur.
- Ne pas faire démarrer ou fonctionner l'appareil dans un lieu fermé, même si les portes et les fenêtres sont grandes ouvertes.
- Les moteurs libèrent du monoxyde de carbone, un gaz invisible, inodore et toxique.
- L'inhalation de monoxyde de carbone peut provoquer des nausées, des évanouissements ou même la mort.

### BRANCHEMENT DES APPAREILS

Cet appareil a été vérifié et réglé pour fonctionner à pleine capacité. Débrancher tout appareil qui y est relié avant de le mettre en marche. Attendre qu'il tourne avant de commencer à brancher des appareils dessus. La tension est réglée par la vitesse du moteur, qui a été ajustée à l'usine pour assurer la puissance voulue. Le rajustement annulera la garantie.



## **ATTENTION**



Ne pas dépasser la puissance nominale du générateur lorsqu'une ou plusieurs prises sont utilisées. De plus, ne pas dépasser l'ampérage nominal d'une prise, quelle qu'elle soit.



## **ATTENTION**



Ne pas brancher un appareil puissant sur le générateur pendant la période de rodage (les deux à trois premières heures de fonctionnement).

### ARRÊT DE L'APPAREIL

1. Retirez toute la charge électrique.
2. Laissez le moteur tourner pendant deux minutes sans charge.
3. Placez l'interrupteur du moteur en position "OFF". (Tournez l'interrupteur à clé à "ARRÊT" pour les modèles à lancement électrique.)
4. Ne quittez pas le générateur jusqu'à ce qu'il soit complètement arrêté.

## ENTRETIEN PÉRIODIQUE

ARTICLE	REMARQUES	Quotidiennement (Avant de mettre en marche)	Initiale 20 heures	Chaque 50 heures	Chaque 100 heures
Bougie d'allumage	Vérifier l'état. Ajuster l'écartement des électrodes et nettoyer. Remplacer selon le besoin.			✓	
Huile à moteur	Vérifier le niveau d'huile.	✓			
	Remplacer.		✓		✓
Filtre à air	Nettoyer et remplacer selon le besoin.			✓	
Filtre à carburant	Nettoyer le robinet à essence et la crépine du réservoir de carburant. Remplacer selon le besoin.				✓
Canalisation de carburant	Vérifier la canalisation de carburant pour déceler toute fissure ou tout autre dommage. Remplacer selon le besoin.	✓			
Système d'échappement	Vérifier pour déceler toute fuite. Resserrer ou remplacer le joint d'étanchéité, le cas échéant.	✓			
	Vérifier le grillage du silencieux. Nettoyer et remplacer selon le besoin.				✓
Carburateur	Vérifier le fonctionnement du volet de départ.	✓			
Circuit d'allumage	Vérifier le fonctionnement du lanceur à rappel.	✓			
Raccord et attaches	Vérifier. Remplacer selon le besoin				✓

5. Fermez la vanne de fermeture du carburant (s'il y en a une) si le moteur doit être rangé ou transporté.
6. Si l'on utilise, un couvercle, ne l'installez pas jusqu'à ce que l'appareil soit refroidi.

## ENTRETIEN

### LA BOUGIE D'ALLUMAGE

Enlevez la bougie et nettoyez la section des électrodes avec une brosse en acier ou du papier de verre. Ensuite, réglez l'intervalle d'allumage à 0,7 - 0,8 mm (.028/.031 po) en ajustant l'électrode négative. Remettez la bougie d'allumage en place en la serrant au couple approprié : 14 pi-lb (20 N.m)



## ATTENTION

**La bougie de rechange doit être exactement de même type que celle qui a été enlevée. Une bougie mal choisie peut faire surchauffer le moteur, le faire émettre de la fumée ou mal fonctionner.**

### LE TYPE D'HUILE

Utilisez une huile neuve et de bonne qualité, grade SE, SF ou SD. L'huile à utiliser dépend de la température à laquelle le moteur sera actionné.

Au dessous 32° F (0° C) . . . . .SAE 10W, 10W-30, ou 10W-40  
 32 à 80° F (0 à 25° C) . . . . .SAE 20W, 10W-30, ou 10W-40  
 80 à 95° F (25 à 35° C) . . . . .SAE 30W, 10W-30, ou 10W-40  
 Ci-dessous 95° F (35° C) . . . . .SAE 40W

### REPLACEMENT D'HUILE

1. Remplacer l'huile lorsque le moteur est réchauffé.
2. Placer la génératrice sur une surface de niveau.
3. Enlever le bouchon de remplissage d'huile.
4. Ouvrir le bouchon de vidange d'huile et laisser l'huile se vidanger complètement dans un récipient placé en-dessous du moteur.
5. Vérifier les joints d'étanchéité. Remplacer selon le besoin.
6. Réinstaller le bouchon de vidange d'huile et remplir le moteur d'huile propre.
7. Remettre le bouchon de remplissage d'huile en place.

### NETTOYAGE DU FILTRE À AIR

1. Dévisser le couvercle du filtre à air.
2. Retirer l'élément filtrant et le laver à fond dans du solvant.
3. Verser une petite quantité d'huile dans l'élément filtrant et fluer doucement tout excédent d'huile.
4. Remettre l'élément filtrant et le couvercle du filtre à air en place.
5. S'assurer de la parfaite étanchéité du pourtour du couvercle du filtre.

### NETTOYAGE DU FILTRE DU ROBINET À ESSENCE

1. Retirer la coupelle du bas du robinet à essence au moyen d'une petite clé.
2. Retirer le filtre du robinet à essence.
3. Nettoyer le filtre et la coupelle, puis les rincer et les remettre en place.

### NETTOYAGE DE LA CRÉPINE DU RÉSERVOIR À CARBURANT

1. Retirer la crépine de carburant en plastique; celle-ci est située en-dessous du bouchon du réservoir de carburant.
2. Laver la crépine dans du solvant, puis la remettre en place.

**EXCITATION DE L'APPAREIL:**

S'il y a perte de l'aimantation résiduelle (la tension ne monte pas), il peut être nécessaire de réamorcer le générateur.

**REMARQUE : Votre générateur est un appareil sans balai.**

**Contactez votre centre de service à la clientèle local ou le service à la clientèle Powermate Corporation afin d'obtenir de l'aide pour exciter votre générateur.**

**ÉCRANS DE CHALEUR :**

Vérifier que tous les écrans de chaleur et les déflecteurs thermiques sont intacts et en place. Ne pas procéder à l'enlèvement ou à la modification des pièces, puisque cela risquerait d'occasionner de graves dommages à l'appareil.

**GIVRAGE DU CARBURATEUR**

Pendant les mois d'hiver, des conditions atmosphériques rares peuvent provoquer la formation de glace dans le carburateur. Quand cela arrive, le moteur fonctionne mal, perd de sa puissance et peut même tomber en panne. Ce problème temporaire peut être corrigé en faisant souffler l'air chaud du moteur sur le carburateur. Pour de plus amples renseignements, contactez le service clientèle.

**TRUCS DE DÉMARRAGE RAPIDE DES APPAREILS RESTÉS LONGTEMPS HORS FONCTION:**

Si votre appareil est resté longtemps hors fonction et que son démarrage s'avère difficile, suivre les quelques étapes suivantes avant de recourir à l'assistance téléphonique à la clientèle.

1. Vérifier le niveau d'huile.
2. Faire une vidange d'huile complète.
3. Remplacer les bougies d'allumage.
4. Vérifier les canalisations d'huile et veiller à ce que le robinet à essence soit ouvert.
5. Vérifier les pièces du groupe électrogène afin de vous assurer de leur intégrité.
6. Nettoyer le carburateur.

**USAGE PEU FRÉQUENT**

Si la génératrice est rarement utilisée, il est possible qu'elle soit difficile à mettre en marche. Pour éliminer ce problème, faire tourner la génératrice pendant au moins 30 minutes toutes les semaines. Par ailleurs, si elle ne doit pas être utilisée pendant un certain temps, il est bon de vider le carburateur et le réservoir de toute essence.

**ENTREPOSAGE A LONG TERME**

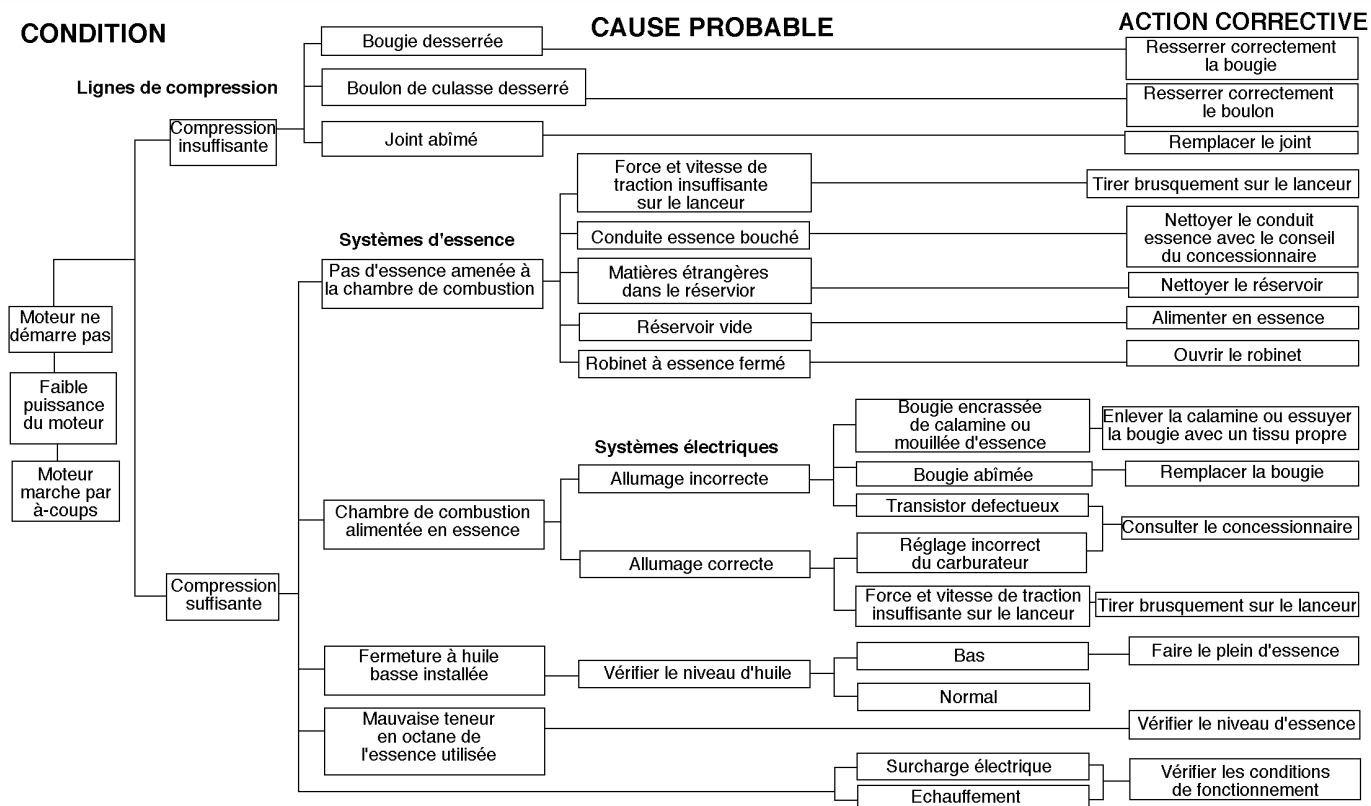
Si le groupe électrogène n'est pas utilisé ou qu'il est remis pendant plus d'un mois, procéder comme suit:

1. Remettre de l'huile jusqu'au repère supérieur.
2. Éliminer toute essence du réservoir, de la conduite et du carburateur.
3. Mettre environ une cuillerée à café d'huile pour moteur dans l'orifice des bougies, tirer sur le lanceur à plusieurs reprises et remettre la bougie en place. Ensuite, tirer sur le lanceur jusqu'à ce que le piston soit en position de compression et le laisser dans cette position. Ceci ferme les soupapes d'admission et d'échappement afin d'empêcher l'intérieur du cylindre de rouiller.
4. Couvrir l'appareil et l'entreposer dans un endroit propre, sec et bien aéré, loin de toute source de flamme ou d'étincelles.

**REMARQUE: Il est recommandé d'utiliser en tout temps le stabilisateur de carburant, ce qui permettra de réduire la formation de dépôts de gomme dans le carburant lors de son entreposage. On peut ajouter le stabilisateur à l'essence en le versant soit dans le réservoir de carburant, soit dans un récipient d'entreposage.**



## DEPANNAGE DU MOTEUR



## CARACTERISTIQUES DU MOTEUR

**Type** .....A quatre temps, à un cylindre, à essence, OHV  
**Cylindrée** .....357 cc  
**CV maximum** .....12 cv à 4000 tr/min  
**Système de démarrage** .....A détente (allumage électronique)  
**Système de propulsion** .....Accouplement direct, vilebrequin effilé  
**Capacité d'huile** .....1,1 litres (37 oz)  
**Bougie** .....Champion RN14YC ou l'équivalent  
**Régulation** .....Mécanique (ajustable)  
**Système de refroidissement** .....Refroidissement à air forcé  
**Alésage x course** .....85 x 63 mm  
**Type de carburateur** .....A flotteur  
**Type filtre** .....Elément en mousse

**Pour obtenir des renseignements sur  
les modalités de réparation sous  
garantie ou pour commander des  
pièces ou des  
accessoires de rechange,  
CONTACTER AVEC LE SERVICE  
DE RÉPARATION DES  
PRODUITS  
POWERMATE CORPORATION  
en composant le numéro de  
téléphone  
1-800-445-1805**

**COMMANDE DE PIÈCES DE RECHANGE**

Même dans le cas d'appareils de haute qualité comme le groupe électrogène en votre possession, des pièces de rechange peuvent devenir nécessaires pour garder l'appareil en bon état au fur et à mesure que passent les années. Pour commander des pièces de rechange, veuillez fournir les renseignements suivants :

1. Les numéros de modèle et de série ainsi que toutes les spécifications portées sur la plaque où sont indiqués les numéros de modèle et de série.
2. Les codes de pièces apparaissent dans la section Nomenclature des pièces de rechange.
3. Une brève description du problème rencontré.

**Powermate Corporation  
4970 Airport Road  
P. O. Box 6001  
Kearney, NE 68848  
1-800-445-1805**

**Couverture Limitée :** Powermate Corporation (la compagnie) garantit au revendeur d'origine en Amérique du Nord qu'elle réparera ou remplacera, sans frais, toutes les pièces que la compagnie ou que son représentant du service autorisé auront déterminé comme étant défectueuses du point de vue du matériel ou de la fabrication. La garantie couvre les coûts de remplacement des pièces et de main-d'œuvre pour tout défaut matériel ou de fabrication.

**Ce qui n'est pas couvert :**

- Les frais de transport pour envoyer le produit à la compagnie ou à son représentant du service autorisé pour effectuer le travail couvert par la garantie, les frais d'expédition au client des produits réparés ou remplacés. Ces frais doivent être assumés par le client.
- Si un manuel séparé de l'opérateur et la garantie de moteur du fabricant de moteur sont inclus avec ce produit, seulement cette garantie s'appliquera au moteur.
- Les dommages causés par un abus ou un accident, et les effets de la corrosion, de l'érosion ainsi que de l'usure normale.
- La garantie est annulée si le client n'arrive pas à installer, garder et faire fonctionner le produit conformément aux directives et aux recommandations de la compagnie formulées dans le guide d'utilisation, ou si le produit est utilisé comme équipement de location.
- La compagnie ne paiera pas de réparation ou des ajustements au produit, ou pour les coûts ou main-d'œuvre, exécuté sans l'autorisation préalable de la compagnie.

**Période couverte par la garantie :** Un (1) an à partir de la date d'achat sur les produits utilisés uniquement pour les applications de consommateur. Si le produit est utilisé à des fins d'affaires ou commerciales, la période couverte par la garantie se limite à quatre-vingt-dix (90) jours à partir de la date d'achat. En ce qui concerne l'entretien couvert par la garantie, le client doit présenter une preuve de la date d'achat et il doit aviser la compagnie au cours de la période couverte par la garantie.

**Pour tout ce qui touche l'entretien couvert par la garantie :**  
**Composez sans frais le 1 800 445-1805, ou écrivez à  
Powermate Corporation, Product Services, 4970 Airport  
Road, P. O. Box 6001, Kearney, NE 68848 É.-U.**

**EXCLUSIONS ET LIMITATIONS :** LA COMPAGNIE NE PRÉSENTE AUCUNE AUTRE GARANTIE, EXPRESSE OU IMPLICITE. LES GARANTIES IMPLICITES, INCLUANT LES GARANTIES DE QUALITÉ MARCHANDE ET DE CONFORMITÉ AUX BESOINS SONT, PAR LA PRÉSENTE, ABANDONNÉES. L'ENTRETIEN COUVERT PAR LA GARANTIE DÉCRIT CI-DESSUS EST UN RECOURS EXCLUSIF EN VERTU DE CETTE GARANTIE. LA RESPONSABILITÉ POUR DES DOMMAGES ACCESSOIRES ET INDIRECTS EST EXCLUE JUSQU'À LA LIMITE AURORISÉE PAR LA LOI.

Cette garantie vous donne des droits spécifiques reconnus par la loi. Vous pouvez également bénéficier de certains autres droits, lesquels varient d'une province (État) à l'autre. Certaines provinces (ou certains États) n'autorisent pas de clauses de renonciation des garanties implicites ou de limites à l'égard de dommages accessoires ou indirects, ainsi, les clauses de renonciation et les exclusions ci-dessus peuvent ne pas s'appliquer à vous.

## SEGURIDAD



### PELIGRO

PELIGRO indica una situación potencialmente peligrosa que, si no se evita, **PROVOCARÁ** muerte o una lesión seria.



### ADVERTENCIA

ADVERTENCIA indica una situación de peligro potencial, la cual, si no se evita, podría ocasionar lesiones severas e incluso la muerte.



### PRECAUCIÓN

PRECAUCIÓN indica una situación potencialmente de riesgo, la cual, si no se evita, puede ocasionar heridas personales menores o moderadas o daños materiales.

## REGLAS DE SEGURIDAD Y DE FUNCIONAMIENTO



**ADVERTENCIA. El no seguir estas instrucciones y advertencias puede ocasionar la muerte, heridas personales o daños materiales.**

1. Lea cuidadosamente y entienda el manual del operador antes de utilizar este producto. Siga todas las advertencias e instrucciones.

2. Conozca su equipo. Considere las aplicaciones, limitaciones y los riesgos potenciales específicos de su unidad.

3. El equipo deberá colocarse sobre una base de sustentación firme.

4. La carga debe mantenerse dentro de los valores nominales que aparecen en la placa de identificación del generador. Una sobrecarga dañará la unidad o acortará su vida útil.

5. No se debe hacer funcionar el motor a velocidades demasiado altas. Si se opera el motor a excesiva velocidad aumenta el riesgo de lesiones físicas. **No toque o cambie piezas que puedan aumentar o disminuirla velocidad regulada.**

6. Para evitar un arranque inesperado, siempre retire la bujía o el cable de la bujía antes de dar mantenimiento al generador o al motor.

7. Nunca debe operarse una unidad con piezas quebradas o faltantes, o sin el revestimiento o cubiertas protectoras. Comuníquese con su centro de servicio para solicitar los repuestos.



8. Las unidades no deben operarse ni almacenarse en lugares húmedos o mojados ni altamente conductores tales como plataformas metálicas o estructuras de acero.

9. Mantenga el generador limpio y libre de aceite, barro y cualquier otro material extraño.

10. Los cordones de extensión, los cordones eléctricos y todos los equipos eléctricos deben estar en buenas condiciones. Nunca opere un equipo eléctrico con cordones dañados o defectuosos.



11. Guarde el generador en un lugar con buena ventilación, con el tanque de combustible vacío. No se debe almacenar combustible cerca del generador.

12. Su generador no deberá operarse jamás si ocurre lo siguiente:

- Cambio fuera de control en la velocidad del motor.
- Pérdida de carga eléctrica.
- Sobrecalentamiento del equipo conectado.
- Formación de chispas.
- Receptáculos dañados.
- Fallo de encendido.
- Vibración excesiva.
- Llamas o humo.
- Compartimento cerrado.

j. Lluvia o inclemencia del tiempo. No permita que la unidad se moje cuando está funcionando.

13. Verifique periódicamente que no haya salideros o señales de deterioro en el sistema de combustible, como manguera demasiado gastada o blanda, abrazaderas flojas o faltantes, o tanque o tapón dañados. Todos estos defectos deberán corregirse antes de la operación.

14. El generador debe operarse, recibir servicio y rellenarse de combustible solamente en las siguientes condiciones:

- Encienda y ponga a funcionar el generador al aire libre. No ponga a funcionar el generador en un área cerrada, aun cuando las puertas o ventanas se encuentren abiertas; evite áreas en donde los vapores puedan encerrarse, tales como pozos, garajes, sótanos, excavaciones y pantoques. PELIGRO - RIESGO DE MONÓXIDO DE CARBONO: El escape del motor contiene monóxido de carbono, un gas venenoso, inodoro, invisible que, si se inhala puede provocar la muerte o una lesión personal seria. Si comienza a sentirse indispuerto, mareado o débil mientras utiliza el generador, apáguelo e inmediatamente vaya a un lugar fresco; podría padecer de envenenamiento por monóxido de carbono.**



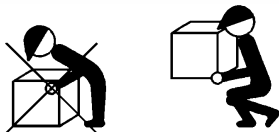
**b. Buena ventilación para el enfriamiento. La circulación de aire y las temperaturas son importantes para las unidades enfriadas por aire. Las temperaturas no deberían exceder 104° F (40° C) a temperatura ambiente.**

- c. Eche combustible al generador en un área bien iluminada. Evite derramamiento de combustible y nunca rellene con combustible mientras el generador está funcionando. Antes de echar combustible, espere que el motor se enfríe durante dos minutos.
- d. No eche combustible cerca de llamas, luces piloto o equipos eléctricos con chispas como herramientas mecánicas, soldadores y rectificadoras.
- e. Deberá instalar el silenciador y filtro de aire, los cuales deberán estar buenas condiciones en todo momento ya que detienen el fuego en caso de una explosión incompleta en el motor.
- f. No fume cerca del generador.

15. Cerciórese de el generador esté conectado a tierra correctamente (Consulte la sección Conexión a tierra del generador).



- 16. No use ropa demasiado holgada, alhajas o cualquier otra cosa que pueda quedar atrapada en el arrancador u otras partes móviles.
- 17. La unidad debe alcanzar la velocidad de operación antes de conectarse las cargas eléctricas. Desconecte las cargas antes de apagar el motor.
- 18. Para evitar sobrecargas que podrían dañar al equipo, no permita que el motor se quede sin combustible al aplicarse las cargas eléctricas.
- 19. Al dar carga a un equipo de estado sólido, debe utilizarse un protector de sobrecarga para evitar posibles daños al equipo.
- 20. No coloque nada a través de las ranuras de ventilación, aun cuando el generador no esté en operación. Esto puede dañar al generador o causar lesiones personales.
- 21. Antes de transportar el generador en un vehículo, extraiga todo el combustible para evitar la posibilidad de salideros o derrames.
- 22. Use técnicas correctas de alzaje al mover el generador de un lugar a otro. De lo contrario, podrían producirse lesiones personales.



- 23. Para evitar quemaduras, no toque el silenciador del motor u otras superficies del generador que se hayan calentado durante la operación.

## APAGACHISPAS

**PUEDA SER QUE SU PRODUCTO NO ESTE EQUIPADO CON UN SILENCIADOR APAGACHISPAS.** Si el producto se va a utilizar cerca de materiales inflamables como son cosechas agrícolas, bosques, arbustos, pastos, etc., debe entonces instalarse un apagachispas adecuado. Esto es obligatorio en el estado de California, de acuerdo con las secciones de estatutos 13005(b), 4442 y 4443. Los apagachispas son también obligatorios en algunas tierras del Servicio Forestal de los EE.UU. y quizá también según otros estatutos u ordenanzas legales. Existen apagachispas de uso aprobado en nuestro distribuidors. También puede encargarse a Powermate Corporation, P.O. Box 6001, Kearney, Nebraska, 68848, EE.UU., teléfono 1-800-445-1805.

## COMO DETERMINAR EL VATAJE TOTAL

A fin de evitar la sobrecarga y los posibles daños a su generador, resulta necesario conocer el vataje total de la carga conectada. Para determinar qué herramientas y/o equipos electrodomésticos su generador hará funcionar, siga los pasos a continuación:

1. Determine si desea hacer funcionar un aparato o varios aparatos simultáneamente.
2. Verifique los requerimientos de potencia de arranque y de funcionamiento de los aparatos fijándose en las carga especificada en la etiqueta, o calculándola (multiplique amperios x voltios = watts o potencia).
3. Sume la potencia necesaria de arranque y de funcionamiento de cada aparato. Si la etiqueta sólo le da el voltaje y el amperaje, entonces multiplique Voltios x Amperios = Watts. **1KW = 1,000 watts.**
4. Los electrodomésticos o herramientas impulsadas por motores requieren más potencia que lo especificado para arrancar.  
**NOTA: Permita 2 1/2 - 4 veces el vataje mencionado para arrancar al equipo.**
5. Los vatios unitarios del generador deberían coincidir o superar el número total de vatios que requiere el equipo que usted desea arrancar.
6. Siempre conecte la carga más grande primero, y luego agregue los demás equipos uno por uno..

## EL REQUERIMIENTO DE VOLTAJE



### PRECAUCIÓN

**PRECAUCION:** El requerimiento de voltaje y frecuencia operativa de todos los equipos electrónicos debe comprobarse antes de enchufarlos a este generador. Pueden ocurrir daños si el equipo no está diseñado para operar dentro de una variación de voltaje de +/-10% y una variación de frecuencia de +/-3 hz de los valores nominales que aparecen en la placa de identificación del generador. A fin de evitar daños, siempre tenga una carga adicional enchufada al generador en caso de usarse equipos de estado sólido (tales como un aparato de televisión). También podría resultar necesario un acondicionador de la línea eléctrica para algunas aplicaciones; por ejemplo, con una computadora. También podría resultar necesario un acondicionador de la línea eléctrica para algunas aplicaciones de equipo de estado sólido.

Se deberá utilizar un acondicionador de línea de conducción cuando se operen uno o más de los siguientes equipos de estado sólido:

Control para abrir la cochera o garaje  
Equipos de cocina con visualización digital  
Televisores  
Estéreos  
Computadoras personales  
Relojes de cuarzo  
Máquinas fotocopadoras  
Equipo telefónico

Otro equipo en estado sólido puede requerir un acondicionador de línea de conducción. Para obtener más información, comuníquese con nuestro Departamento de Servicio al Cliente al teléfono 1-800-445-1805

Para evitar la retro-alimentación a los sistemas de suministro, se requiere el aislamiento del sistema eléctrico residencial.

Antes de realizar la conexión temporal del generador hacia el sistema eléctrico residencial, apague o desconecte el servicio principal.

Si el generador va a usarse como fuente de energía de reserva en caso de un fallo del suministro eléctrico, debe ser instalado por un electricista certificado, de acuerdo con todos los códigos eléctricos locales aplicables.

El uso apropiado requiere la instalación de un interruptor de transferencia de dos vías por un electricista capacitado y certificado para asegurar de que los circuitos eléctricos del edificio puedan ser conmutados con seguridad entre el suministro eléctrico y la salida del generador, evitando de este modo la retro-alimentación hacia el sistema de suministro eléctrico.



### ADVERTENCIA



**Para evitar la retro-alimentación hacia los sistemas de suministro eléctrico, se requiere el aislamiento del sistema eléctrico residencial. Antes de realizar la conexión temporal del generador al sistema eléctrico residencial, apague el interruptor principal. Antes de hacer las conexiones permanentes, debe instalarse un interruptor de transferencia de dos vías. Para evitar la electrocución o daños a la propiedad, sólo debe ser un electricista entrenado el que conecte el generador al sistema eléctrico residencial. Las leyes de California requieren el aislamiento del sistema eléctrico residencial antes de conectar un generador a los sistemas eléctricos residenciales.**

Siempre siga los códigos y regulaciones locales que se aplican a la instalación de cualquier elemento que tenga relación con este producto.

1. NFPA 70 - Código Nacional de Electricidad.
2. NFPA 37 - Estándar para la instalación y uso de motores estacionarios de combustible.
3. Manual de cableado agrícola de la energía eléctrica en posición auxiliar para granjas.

## INSTALACION



### ADVERTENCIA



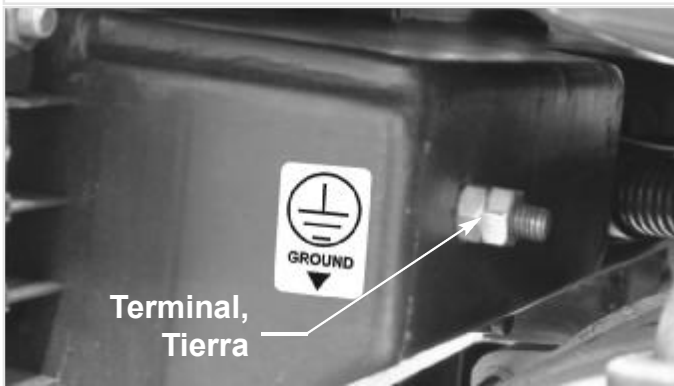
**Para evitar posibles lesiones físicas o daños materiales, es necesario que la instalación y todo el servicio sea realizado por un electricista profesional o representante de servicio autorizado. Bajo ninguna circunstancia debe permitirse que una persona que no está capacitada trate de manipular cables dentro del circuito de utilidad.**

## ANTES DE LA OPERACION

### PUESTA A TIERRA DEL GENERADOR

El Código Nacional de Electricidad requiere que este producto se conecte adecuadamente a una puesta a tierra apropiada para prevenir un choque eléctrico. Para este propósito, se proporciona una terminal del tierra conectado al marco del generador. Conecte una parte de cable de cobre de grueso calibre (12AWG mínimo) entre la terminal en tierra y una varilla de cobre conducida dentro de la tierra debería proporcionar una conexión a tierra adecuada. Sin embargo, consulte con un electricista local para asegurarse de que los códigos locales se cumplen adecuadamente.

#### LA UBICACION DE TERMINAL DEL TIERRA:



### ADVERTENCIA



**No use una cañería que conduzca materiales combustibles como fuente de conexión a tierra.**

### LUBRICACION

**NO** intente arrancar este motor sin llenar el cárter con la cantidad y el tipo de aceite adecuados. Su generador ha sido enviado de fábrica sin aceite en el cárter. El operar la unidad sin aceite puede arruinar el motor.

Llene el motor con aceite de acuerdo con el manual del operador. Para unidades que cuentan con varilla del nivel del aceite, llene de aceite hasta que éste llegue al nivel adecuado. Las unidades que no cuentan con una varilla de nivel del aceite deben llenarse hasta la parte superior de la apertura del depósito de aceite.

### EL SENSOR DEL NIVEL BAJO DE ACEITE

La unidad está equipada con un sensor de bajo nivel de aceite. Inicialmente, si el nivel de aceite es menor que el requerido, el sensor activará un artefacto de la advertencia o parará el motor.

Si se apaga el generador y el nivel de aceite se encuentra dentro de las especificaciones, verifique que el generador no

esté colocado a un ángulo que obliga que el aceite varíe su nivel. Colóquelo sobre una superficie pareja para corregir este problema. Si el motor no arranca, el nivel de aceite podría no ser el suficiente como para desactivar el interruptor de bajo nivel de aceite. Asegúrese de que el sumidero esté totalmente lleno de aceite.

### COMBUSTIBLE

Llene el tanque con gasolina sin plomo para automóviles, limpia y nueva. Puede usarse gasolina de grado regular siempre y cuando se obtenga un alto valor del octanaje (por lo menos 85 de octanaje de la bomba). Recomendamos que siempre utilice un estabilizador para combustible. Un estabilizador de combustible minimizará la formulación de depósitos de goma de combustible durante el almacenamiento. El estabilizador de combustible puede agregarse a la gasolina en el tanque de combustible o junto con la gasolina en un contenedor de almacenamiento.



### PRECAUCIÓN



**No llene demasiado el tanque. Mantenga un nivel máximo de combustible a 1/4 de pulgada por debajo de la parte superior del tanque de combustible. Esto permitirá la expansión durante el clima cálido, evitando así el derrame.**

## CARACTERÍSTICAS DEL GENERADOR

### A. Panel de control

### B. Receptáculo dúplex de 120 voltios, 20 amperes

20 amperes de la corriente se pueden dibujar de cada mitad del receptáculo. Sin embargo, la potencia total extraída debe mantenerse dentro de los valores nominales de la placa de identificación. Estos receptáculos pueden usarse junto con el receptáculo de cierre giratorio siempre y cuando el generador no esté sobrecargado.

### C. Receptáculo de cierre giratorio de 120/240 voltios, 30 amperes

Puede extraerse un máximo de 30 amp desde el receptáculo de 120/240 voltios siempre y cuando sea el único receptáculo usado. Sin embargo, la corriente debe limitarse al valor nominal de la placa de identificación. Si se utiliza un receptáculo de 120/240 voltios junto con los receptáculos de 120 voltios, la carga total extraída no debe exceder los valores nominales de la placa de identificación.

### D. Interruptor

Los receptáculos se protegen mediante un cortacircuitos de CA. Si se sobrecarga el generador u ocurre un cortocircuito externo, el cortacircuitos saltará. Si esto ocurre, desconecte todas las cargas eléctricas y trate de determinar la causa del problema antes de usar el generador nuevamente. Si la sobrecarga causa que salte el cortacircuitos, reduzca la carga. **NOTA: Si salta continuamente el cortacircuitos, se podría dañar el generador o el equipo.** El cortacircuitos puede ser repone cambiando al EN la posición.

### E. El motor On/Off (En/De) Interruptor

### F. La luz de la advertencia para el aceite

### G. Motor 12 HP OHV

### H. Arranque retráctil

### I. Palanca de estrangulación del motor

### J. Llenado de Aceite

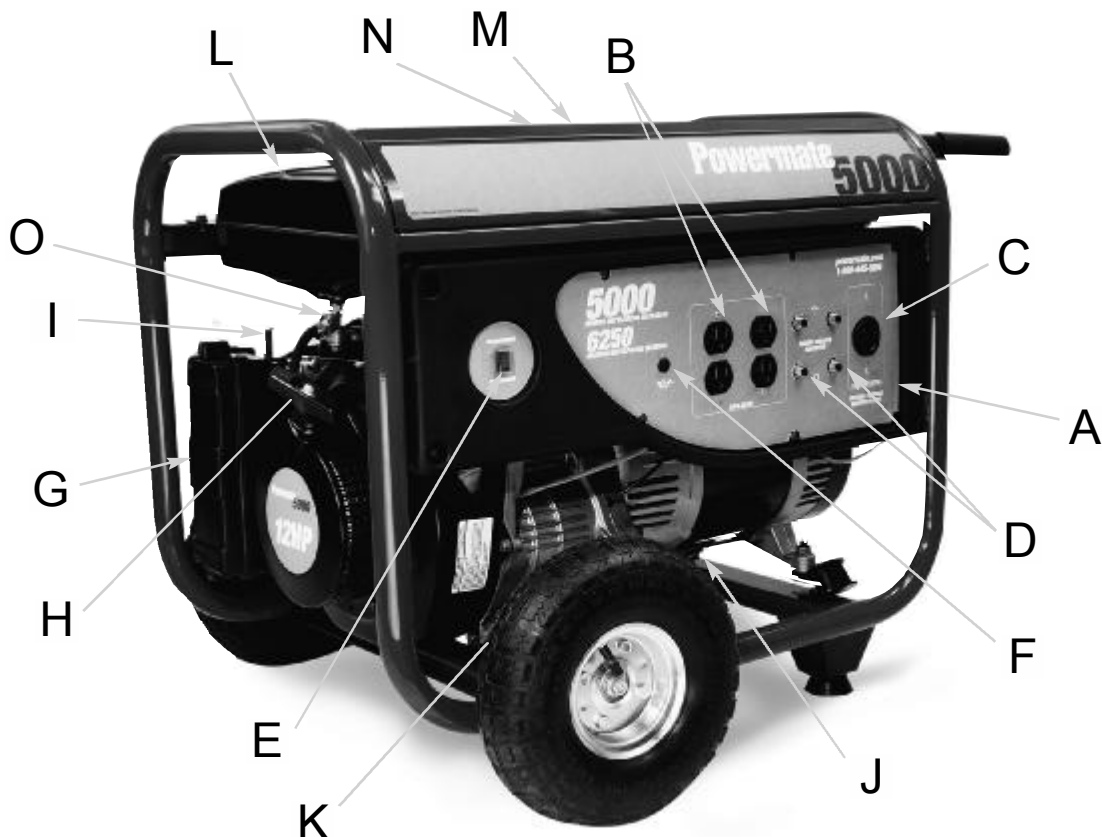
### K. Tapón de Drenado de Aceite

### L. Tanque de metal de combustible con capacidad de 22 litros (5.8 galones)

### M. Tapa de combustible

### N. Indicador de combustible

### O. Corte de combustible





## INSTALACION DEL JUEGO DE TRANSPORT

**HERRAMIENTAS NECESARIAS:** Cubos y trinquetes de 10mm, 13mm, y 16mm, bloque(s) de madera, mínimo de 6" de alto.  
**Consulte la lista de partes en las página 37.**

### INSTALACIÓN DE LAS RUEDAS

1. Bloquee arriba el fin de motor del generador para instalar juego de rueda.
2. Inserte el espaciador de la rueda (**artículo 109**) en el centro de la rueda (**artículo 108**).
3. Deslice el perno de M8 x 95 (**artículo 107**) a través de la rueda (**artículo 108**), y luego a través del soporte de la rueda en el transportador, colocando el lado descentrado del centro de la rueda en contra del soporte.
4. Atornille la tuerca de M10 (**artículo 110**) en el perno y apriétela para fijar firmemente el conjunto de la rueda a la transportador.
5. Repita el procedimiento anterior para la otra rueda.

### INSTALACION DEL PIE

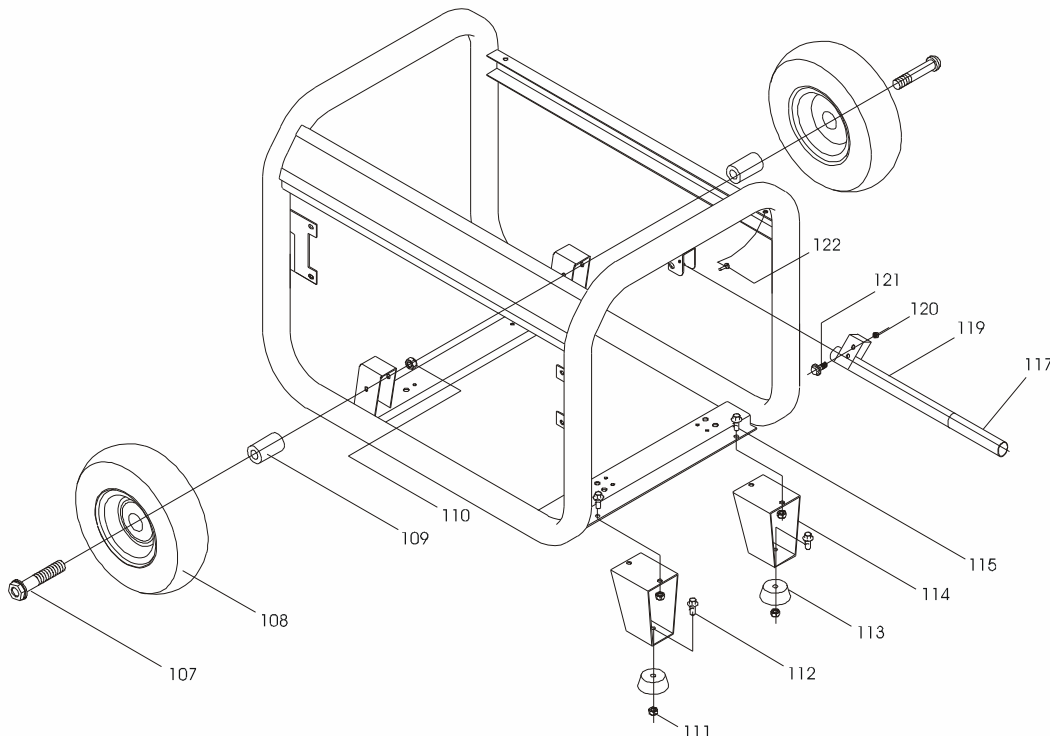
1. Ensamble la pie (**artículo 113**) al soporte de la misma (**artículo 114**) con un tornillo de M8 x 30 (**artículo 112**). Enrosque una tuerca M8 (**artículo 111**) al tornillo para asegurar el ensamble. **Precaución: No apriete demasiado para que el material de la pie no colapse.**
2. Bloquee el lado del alternador del generador para colocar el soporte de la pie bajo el canal portador. Enrosque un tornillo de M8 x 15 (**artículo 115**) a través de los orificios de montaje y enrosque una tuerca M8 (**artículo 111**) al perno para asegurar el soporte de la pie al portador.
3. Repita el procedimiento anterior para la otra pie.

### INSTALACIÓN DE LA MANIJA

1. Coloque la manija (**artículo 119**) sobre la transportadora en el mismo extremo de las patas, tal como se indica en el diagrama.
2. Deslice el tornillo de M6 x 28 (**artículo 121**) a través de la manija y soporte del manija, tal como se indica en el diagrama, y fíjela con la tuerca M6 (**artículo 120**). Apriétela hasta que la manija quede firmemente asegurada a la transportadora.
3. Aplique rociador para el cabello en aerosol o un adhesivo similar a la manija (**artículo 119**), y luego deslice el agarradero de la manija (**artículo 117**) sobre la manija. El rociador para el cabello en aerosol permitirá un ensamble más fácil y adherirá el agarradero a la manija.

### MANIJA QUE CIERRA

1. Conecte los acoladores (**artículo 118**) a los alfileres de la liberación (**artículo 122**) y el portador como mostrado en la ilustración.
2. Para cerrar el manija (**artículo 119**) en la posición extendida, alinea los hoyos en los soporte del manija con los hoyos en los soporte de transportador y mete los alfileres de la liberación (**artículo 122**).



## ARRANQUE DEL UNIDAD

### **ADVERTENCIA**



La gasolina es muy peligrosa. Si la gasolina hace contacto con superficies calientes puede ocasionar lesiones serias o la muerte.

1. No llene el tanque de combustible con el motor en marcha.
2. No derrame combustible al volver a llenar el tanque.
3. No mezcle aceite con la gasolina.
4. Siga todas las instrucciones y advertencias contenidas en el manual del operador.

### PREPARACION ANTES DE ARRANCAR

Antes de arrancar el generador, verifique si hay piezas sueltas o faltantes y si hay cualquier tipo de daño que podría haber ocurrido durante el envío.

### **ADVERTENCIA**



Este generador no debe operarse sin tener colocados todos los escudos contra el calor instalados de fábrica. Si no se hace esto, podría recalentarse el tanque de combustible pudiendo ocurrir un incendio que cause lesiones personales.

### ARRANQUE DEL MOTOR

1. Controle el nivel de aceite y combustible.
2. Desconecte todas las cargas eléctricas de la unidad.
3. Abra la válvula de cierre de combustible si tiene.
4. Regule el cebador si hace falta.
5. Coloque la llave del motor en posición de "ON".
6. Hale la soga del arrancador de un tirón rápido y parejo. Mientras se calienta el motor, vuelva a regular el cebador. En los modelos de encendido eléctrico, oprima el botón colocado sobre la cabeza del generador o haga girar la llave a la posición "START" según el modelo. Suelte la llave después que arranque el motor.

### **PRECAUCIÓN**



Permita que funcione el generador sin carga durante cinco minutos después de cada arranque inicial para permitir que se estabilicen el motor y el generador.

### **PELIGRO**



- Debe suministrar una ventilación adecuada para los gases tóxicos de escape y el flujo de aire refrigerante.
- No encienda o arranque el generador en un área cerrada, incluso si las puertas o ventanas están abiertas.
- El motor despidе monóxido de carbono, un gas venenoso, inodoro e invisible.
- Aspirar el monóxido de carbono puede ocasionar náusea, desfallecimiento o la muerte.

### COMO APLICAR UNA CARGA

Esta unidad ha sido previamente verificada y ajustada para manejar su capacidad máxima. Al arrancar el generador, desconecte todas las cargas. Aplique la carga solamente después de que el generador esté funcionando. El voltaje se regula por medio de la velocidad del motor ajustada en fábrica para la salida correcta. El reajuste anulará la garantía.

### **PRECAUCIÓN**



Al aplicar una carga, no exceda el vataje nominal máximo del generador al usar uno o más receptáculos. Además no exceda el amperaje nominal de ningún receptáculo individual.

### **PRECAUCIÓN**



No aplique una carga eléctrica fuerte durante el periodo inicial de funcionamiento (las primeras dos o tres horas de operación).

### APAGADO DEL GENERADOR

1. Retire toda la carga eléctrica.
2. Deje que el motor funcione durante dos minutos sin carga.
3. Mueva la llave del motor a la posición "OFF". (Haga girar la llave a "OFF" en los modelos de encendido eléctrico).
4. No abandone el generador hasta que se haya detenido por completo.

## MANTENIMIENTO PERIÓDICO

ARTÍCULO	NOTAS	Diariamente (Antes de la operacion)	Inicial 20 horas	Cada 50 horas	Cada 100 horas
Bujía	Revise en qué condición se encuentra. Ajuste el espacio y límpiela. Reemplácela, si fuera necesario.			✓	
Aceite del motor	Revise el nivel de aceite.	✓			
	Cámbielo.		✓		✓
Filtro de aire	Reemplácelo, si fuera necesario.			✓	
Filtro de combustible	Limpie la válvula de combustible y el filtro del tanque de combustible. Reemplácelos, si fuera necesario.				✓
Conducto del combustible	Revise si en la manguera de combustible hay fisuras u otro daño. Reemplácela, si fuera necesario.	✓			
Sistema de escape	Verifique si existe fuga. Vuelva a apretar el empaque o reemplácelo, si fuera necesario.	✓			
	Revise el filtro del silenciador. Límpielo/reemplácelo, si fuera necesario.				✓
Carburador	Revise el funcionamiento del estrangulador.	✓			
Cómo arrancar el sistema	Revise el funcionamiento del arranque de impacto trasero.	✓			
Adaptadores/afianzadores	Revíselos. Reemplácelos, si fuera necesario.				✓

- Cierre la válvula de paso del combustible si el motor debe colocarse en depósito o transportarse.
- Si le va a colocar una cubierta, espere hasta que la unidad se haya enfriado.

## MANTENIMIENTO

### BUJIA

Retire la bujía y limpie la sección de los electrodos con un cepillo de alambre o papel de lija. Luego fije la separación a 0,028/0,031 (0,7 a 0,8 mm) ajustando el electrodo negativo. Vuelva a colocar la bujía con el torque correcto: 14 pies-lb (20 N.m)



## PRECAUCIÓN

**Reemplace solamente por el mismo tipo de bujía que fue retirado. Una bujía incorrecta puede causar el sobrecalentamiento del motor, la emisión de humos o un rendimiento inadecuado del mismo.**

### TIPO DE ACEITE

Utilice aceite fresco de buena calidad, los grado SE, SF o SD. El aceite que será usado depende de la temperatura a la cual funciona el motor:

Debajo de 32° F (0° C) . . . . .SAE 10W, 10W-30, o 10W-40  
 32 a 80° F (0 a 25° C) . . . . .SAE 20W, 10W-30, o 10W-40  
 80 a 95° F (25 a 35° C) . . . . .SAE 30W, 10W-30, o 10W-40  
 Arriba 95° F (35° C) . . . . .SAE 40W

### CAMBIO DEL ACEITE

- Cambie el aceite cuando el motor esté caliente.
- Coloque la unidad de generador en una superficie nivelada.
- Retire el tapón de llenado del aceite.
- Abra el tapón de drenaje del aceite y deje que éste se vacíe completamente en un recipiente colocado debajo del motor.
- Revise los empaques. Reemplácelos, si fuera necesario.
- Vuelva a instalar el tapón de drenaje del aceite y llene de nuevo el motor con aceite limpio.
- Vuelva a colocar el tapón de llenado del aceite.

### CÓMO LIMPIAR EL FILTRO DE AIRE

- Afloje el tornillo de la cubierta del filtro de aire.
- Retire el elemento del filtro y lávelo bien en solvente.
- Vierta una pequeña cantidad de aceite sobre el elemento del filtro y sacuda suavemente cualquier exceso de aceite.
- Vuelva a colocar el elemento del filtro y la cubierta del filtro de aire.
- Asegúrese de que la cubierta del filtro selle adecuadamente en todas partes.

### CÓMO LIMPIAR EL FILTRO DE LA VÁLVULA DE COMBUSTIBLE

- Retire la copa en la parte inferior de la válvula de combustible utilizando una llave pequeña.
- Retire el filtro de la válvula de combustible.
- Limpie y lave el filtro y la copa y vuelva a colocarlos.

### LIMPIEZA DEL FILTRO DE COMBUSTIBLE

- Retire el filtro plástico de combustible que se ubica debajo del tapón del tanque de combustible.
- Lave el filtro en solvente y vuelva a colocarlo.

**EXCITACION DEL GENERADOR:**

Si hay una pérdida del magnetismo residual (no se podrá acumular voltaje), podría resultar necesario volver a excitar la unidad.

**NOTA: Su generador es una unidad sin cepillo. Comuníquese por favor con su centro de servicio local o el Departamento de Servicios Powermate Corporation para solicitar ayuda con el encendido de su generador.**

**ESCUDO DE CALOR:**

Inspecciónelo para asegurarse de que todos los escudos de calor y los deflectores de calor estén intactos y en su lugar. No retire ni modifique ninguna pieza. Retirar o modificar las piezas puede ocasionar daños serios a la unidad.

**MOTOR: Congelamiento del carburador**

Durante los meses de invierno, podrían desarrollarse condiciones atmosféricas poco usuales que causen una condición de conge-lamiento en el carburador. Si esto ocurre, el motor podría funcionar mal, perder potencia y detenerse. Para obtener más información llame al Dpto. De Servicios sobre el producto.

**CONSEJOS PARA UN ENCENDIDO RÁPIDO EN UNIDADES QUE HAN ESTADO INHABILITADAS DURANTE UN TIEMPO:**

Si su unidad ha estado fuera de servicio durante un periodo de tiempo extenso y es difícil que encienda, intente realizar algunos de estos fáciles pasos antes de llamar a la línea directa de información de servicio al cliente.

1. Verifique el nivel del aceite.
2. Reemplace el combustible viejo.
3. Cambie la bujía de encendido.
4. Verifique los conductos de combustible. Asegúrese de que esté abierta la válvula de combustible.
5. Verifique la integridad de todas las piezas del generador.
6. Limpie el carburador.

**SERVICIO POCO FRECUENTE**

Si la unidad no se utiliza frecuentemente, podrían ocurrir dificultades al arrancar. Para eliminar estos problemas, haga funcionar el generador por lo menos 30 minutos todas las semanas. Además, si la unidad no se va a utilizar durante algún tiempo, es conveniente extraer el combustible del carburador y del tanque de gasolina.

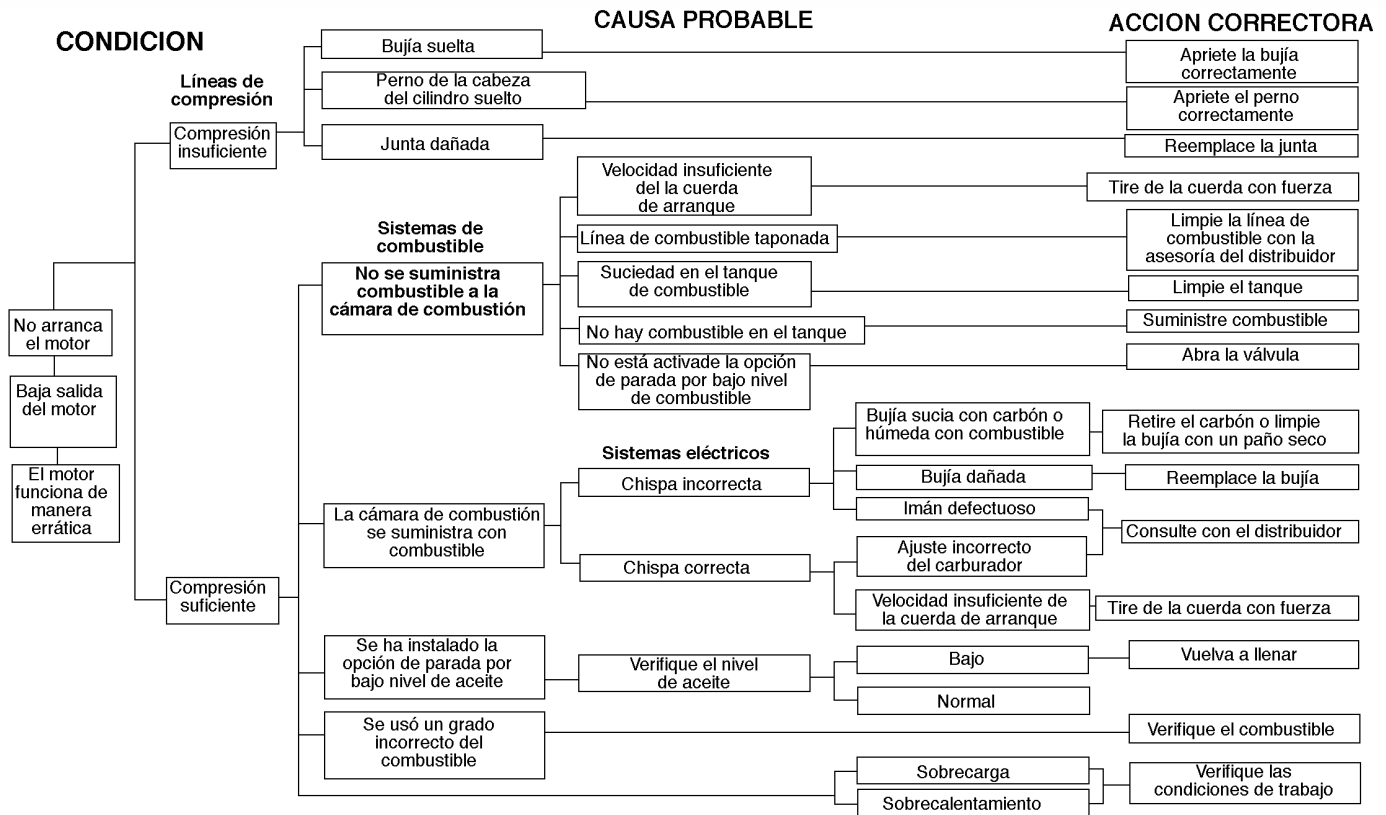
**ALMACENAMIENTO A LARGO PLAZO**

Cuando el equipo generador no se está operando o está almacenado durante más de un mes, siga las instrucciones siguientes:

1. Vuelva a llenar de aceite el motor hasta su nivel superior.
2. Saque la gasolina del tanque de combustible, la línea de combustible y el carburador.
3. Vierta hasta una cucharadita de aceite para motores a través del orificio de la bujía, tire del arrancador de reacción varias veces y reemplace la bujía. Luego tire del arrancador hasta que sienta que el pistón está en su carrera de compresión y déjelo en esta posición. Esto cierra las válvulas de entrada y escape para evitar que el interior del cilindro se oxide.
4. Cubra la unidad y almacénela en un lugar limpio y seco con buena ventilación y lejos de chispas o llamas.

**NOTA: Recomendamos que siempre utilice un estabilizador para combustible. Un estabilizador de combustible minimizará la formulación de depósitos de goma de combustible durante el almacenamiento. El estabilizador de combustible puede agregarse a la gasolina en el tanque de combustible o junto con la gasolina en un contenedor de almacenamiento.**

## DETECCION DE FALLOS DEL MOTOR



## ESPECIFICACIONES DEL MOTOR

<b>Tipo</b> .....	4 carreras, cilindro único, gasolina, OHV
<b>Desplazamiento</b> .....	357 cc, 21,79 pulg cúbicas
<b>HP máximos</b> .....	12 HP a 4000 rpm
<b>Sistema de arranque</b> .....	Reculado (encendido electrónico)
<b>Sistema de conducción</b> .....	Conexión directa, manivela ahusada
<b>Capacidad de aceite</b> .....	1,1 litros (37 oz)
<b>Bujía</b> .....	Champion RN14YC o equivalente
<b>Gobernador</b> .....	Mecánico (adjustable)
<b>Sistema de enfriamiento</b> .....	Enfriamiento forzado de aire
<b>Perforación x Carrera</b> .....	85 x 63 mm (3,35 x 2,48 pulg)
<b>Tipo de carburador</b> .....	Flotante
<b>Tipo de limpiador de aire</b> .....	Elemento de espuma

**COMUNÍQUESE CON EL  
DEPARTAMENTO DE SERVICIO  
SOBRE EL PRODUCTO  
POWERMATE CORPORATON  
EN EL  
1-800-445-1805**

**para obtener información sobre el  
servicio de la garantía o para  
ordenar piezas de reemplazo o accesorios.**

**COMO PEDIR LOS REPUESTOS**

Incluso equipos de calidad como el generador eléctrico que usted ha adquirido podrían necesitar repuestos ocasionales para mantenerlos en buenas condiciones a través de los años. Para pedir repuestos, por favor proporcione la información siguiente:

1. No. de modelo y No. de serie y todas las especificaciones que aparecen en la placa del No. de modelo/No. de serie.
2. El número de las piezas como se muestra en la Sección Listado de Piezas.
3. Una breve descripción del problema con el generador.

**Powermate Corporation  
4970 Airport Road  
P. O. Box 6001  
Kearney, NE 68848  
1-800-445-1805**

**Cobertura de la garantía:** Powermate Corporation (la Compañía) garantiza al cliente minorista original en América del Norte, que reparará o reemplazará, sin costo alguno, cualesquiera partes que la Compañía o cualquiera de sus representantes de servicio autorizados encuentren defectuosas en sus materiales o en su fabricación. Esta garantía cubre el costo de partes de reemplazo y mano de obra por defectos en materiales o en fabricación.

**No están cubiertos:**

- Costos de transporte por el envío del producto a la Compañía o a sus representantes de servicio autorizados por servicio de garantías, o por el reenvío de los productos reparados o de reemplazo al consumidor; estos cargos los deberá cubrir el cliente.
- Si un manual separado de operario y garantía de motor del fabricante de motor se incluyen con este producto, sólo esa garantía aplicará al motor.
- Daños ocasionados por el mal uso o por un accidente, y los efectos de la corrosión, la erosión, el desgaste y el uso normales.
- La garantía no será válida si el consumidor no instala, da mantenimiento y hace funcionar el producto de acuerdo con las instrucciones y recomendaciones de la Compañía, descritas en el manual del usuario, o si el producto se utiliza como equipo de arrendamiento.
- La Compañía no pagará por reparaciones ni ajustes al producto, ni costos ni mano de obra, realizado sin la Compañía's la autorización previa.

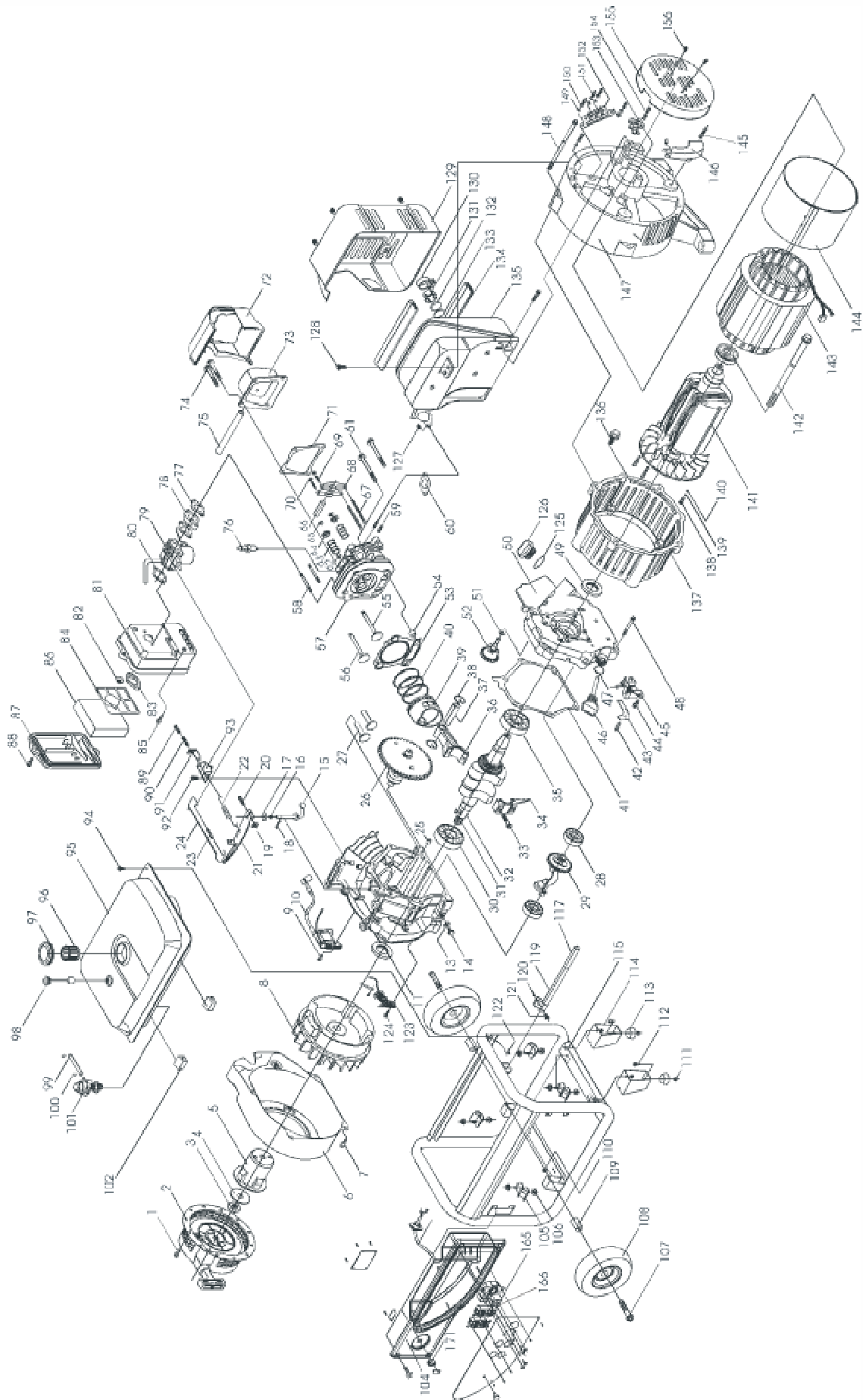
**Período de garantía:** Un (1) año de la fecha de la compra en productos utilizados únicamente para aplicaciones de consumo; si un producto se utiliza para usos comerciales o con fines de lucro, el período de garantía se limitará a noventa (90) días a partir de la fecha de compra. Para obtener el servicio de garantía, el cliente debe proporcionar el comprobante de compra fechado y debe notificar a la Compañía dentro del período de garantía.

**Para el servicio de garantía: Llame sin costo al número 800-445-1805 o escriba a Powermate Corporation, Product Services, 4970 Airport Road, P. O. Box 6001, Kearney, NE 68848 EE. UU.**

**EXCLUSIONES Y LIMITACIONES:** LA COMPAÑÍA NO OTORGA NINGUNA OTRA GARANTÍA DE NINGÚN TIPO, EXPLÍCITA O IMPLÍCITA. POR ESTE MEDIO SE RENUNCIA A LAS GARANTÍAS IMPLÍCITAS, INCLUYENDO GARANTÍAS DE COMERCIABILIDAD O DE ADAPTABILIDAD PARA UN PROPÓSITO PARTICULAR. EL SERVICIO DE GARANTÍA DESCRITO ANTERIORMENTE ES EL RECURSO EXCLUSIVO CUBIERO POR ESTA GARANTÍA; LA RESPONSABILIDAD CIVIL POR DAÑOS INCIDENTALES Y CONSECUENTES SE EXCLUYEN EN LA MEDIDA EN QUE LA LEY LO PERMITA.

Esta garantía le otorga derechos legales específicos y también puede ser objeto de otros derechos que varían de estado a estado. Algunos Estados no permiten la exención de responsabilidad de garantías implícitas o la exclusión o limitación de daños incidentales o consecuentes, de manera que las exenciones y exclusiones de responsabilidades pueden no ser aplicables a usted.

Model PM0105000





## PARTS LIST / LISTE DES PIÈCES / LISTA DE PIEZAS

REF. NO.	PART NO.	DESCRIPTION	DESCRIPTION	DESCRIPCIÓN	QTY
1	0064319	Screw M6 x 10	Vis	Tornillo	4
2	0064320	Engine recoil assembly	Moteur recule l'assemblée	Asamblea de retráctil de motor	1
3	0064321	Nut M18 x 1.5	Écrous	Tuerca	1
4	0064322	Washer	Rondelle	Arandela	1
5	0064323	Starter pulley	Poulie	Polea	1
6	0064324	Fan case	Ventilateur le cas	Ventilador el caso	1
7	0064325	Screw M6 x 10	Vis	Tornillo	5
8	0064326	Flywheel	Volant-moteur	Volante	1
9	0064327	Ignition module	Module d'allumage	Módulo de ignición	1
10	0064328	Screw M6 x 25	Vis	Tornillo	2
11	0064329	Oil seal	Joint	Sello	2
13	0064331	Washer	Rondelle	Arandela	2
14	0064332	Screw M10-1.25	Vis	Tornillo	2
15	0064333	Governor shaft	Arbre de gouverneur	Túnel de gobernador	1
16	0064334	Oil seal	Joint	Sello	1
17	0064335	Washer	Rondelle	Arandela	2
18	0064336	Clip	Attache	Presilla	1
19	0064337	Nut M6	Écrous	Tuerca	1
20	0064338	Screw M6 x 30	Vis	Tornillo	1
21	0064339	Governor arm	Bras de gouverneur	Brazo de gobernador	1
22	0064340	Spring	Ressort	Resorte	1
23	0064341	Spring	Ressort	Resorte	1
24	0064342	Link rod	Tige	Varilla	1
25	0064343	Dowel pin	Goupille	Pasador	2
26	0064344	Camshaft assembly	Arbre à cames	Arbol de levas	1
27	0064345	Valve lifter	Lifter de soupape	Alzador de válvula	2
28	0064346	Bearing 6202	Roulement	Cojinete	2
29	0064347	Balance shift	Équilibrer le changement	Equilibre el cambio	1
30	0064348	Bearing 6307	Roulement	Cojinete	2
31	0064349	Key 4 x 6.5 x 16mm	Clé	Chaveta	1
32	0064350	Crankshaft assembly	Vilebrequin	Cigüeñal	1
33	0064351	Screw M8 x 1.25-40	Vis	Tornillo	2
34	0064352	Connecting rod cap	Capuchon connectant de tringle	Tapa de biela	1
35	0064353	Bearing 6207	Roulement	Cojinete	1
36	0064354	Connecting rod body	Corps connectant de tringle	Cuerpo de biela	1
37	0064355	Piston pin	Goupille	Pasador	1
38	0064356	Piston pin circlip	Attache	Presilla	2
39	0064357	Piston	Piston	Pistón	1
40	0064358	Piston ring set	Jeu de segments	Juego de anillos	1
41	0064359	Gasket	Joint	Empaquetadura	1
42	0064360	Screw M6 x 8	Vis	Tornillo	1
43	0064361	Locating sheet	Feuille localisant	Hoja que localiza	1
44	0064362	Screw M6 x 10	Vis	Tornillo	2
45	0064363	Low oil sensor	Détecteur de bas niveau d'huile	Sensor de bajo nivel de aceite	1
46	0064364	Oil gauge	Jauge	Manómetro	1
47	0064365	Oil gauge seal	Joint	Sello	1
48	0064366	Screw M8 x 45	Vis	Tornillo	8
49	0064368	Oil seal	Joint	Sello	2
50	0064367	Crankcase cover	Couvercle	Tapa	1
51	0064371	Washer	Rondelle	Arandela	1
52	0064372	Governing gear set	Adapter la série	Conjunto engranado	1
53	0064373	Gasket	Joint	Empaquetadura	1
54	0064380	Dowel pin	Goupille	Pasador	2
55	0064381	Exhaust valve	Soupape d'échappement	Válvula de escape	1
56	0064382	Intake valve	Soupape d'admission	Válvula de admisión	1
57	0064383	Cylinder head	Tête de cylindre	Culata de cilindro	1
58	0064384	Bolt	Boulon	Perno	2
59	0064385	Bolt	Boulon	Perno	2
60	0064386	Exhaust gasket	Joint	Sello	1
61	0064387	Screw M10 x 1.25-70	Vis	Tornillo	4
62	0064388	Oil seal	Joint	Sello	1
63	0064389	Valve spring	Ressort	Resorte	2
64	0064390	Valve retainer	Retenue	Retenedor	2
65	0064391	Valve cotter	Goupille fendue	Chaveta	2
66	0064392	Rocker arm pin	Goupille	Pasador	1
67	0064393	Push rod	Tige	Varilla	2
68	0064394	Rocker arm	Bras de bascule	Brazo de balancín	2
69	0064395	Bolt	Boulon	Perno	2
70	0064396	Nut	Écrous	Tuerca	2

## PARTS LIST / LISTE DES PIÈCES / LISTA DE PIEZAS

REF. NO.	PART NO.	DESCRIPTION	DESCRIPTION	DESCRIPCION	QTY
71	0064397	Gasket	Joint	Empaquetadura	1
72	0064398	Air shroud	Enveloppe	Guardera	1
73	0064399	Cylinder head cover	Couvercle	Tapa	1
74	0064400	Screw M6 x 28	Vis	Tornillo	4
75	0064401	Fuel hose	Flexible	Manguera	1
76	Note B	Spark plug	Bougie	Bujia	1
77	0064402	Gasket	Joint	Empaquetadura	2
78	0064403	Gasket	Joint	Empaquetadura	1
79	0064404	Carburetor	Carburateur	Carburador	1
80	0064405	Gasket	Joint	Empaquetadura	1
81	0064406	Air filter case	Cas	Caso	1
82	0064408	Nut M8	Écrous	Tuerca	2
83	0064407	Plate	Plaque	Placa	1
84	0064410	Element fitting plate	Plaque	Placa	1
85	0064409	Screw M6 x 18	Vis	Tornillo	1
86	0064411	Air filter element	Filtre à air	Filtro de aire	1
87	0064412	Air filter cover	Couvercle du filtre à air	Tapa de filtro de aire	1
88	0064413	Screw M6 x 30	Vis	Tornillo	2
89	0064662	Screw M6 x 35	Vis	Tornillo	1
90	0064663	Spring	Ressort	Resorte	1
91	0064664	Adjusting plate	Plaque ajustant	Plato de ajuste	1
92	0064665	Screw M6 x 12	Vis	Tornillo	1
93	0064666	Adjusting bracket	Support	Soporte	1
94	0064558	Screw M6 x 12	Vis	Tornillo	4
95	Note A	Fuel tank	Réservoir de carburant	Tanque de metal de combustible	1
96	0064560	Fuel strainer	Passoire à carburant	Abastecza de combustible el colador	1
97	0064561	Fuel cap	Capuchon	Tapa de combustible	1
98	0064562	Fuel gauge	Jauge de carburant	Indicador de combustible	1
99	0064563	Fuel hose	Flexible	Manguera	1
100	0064564	Hose clamp	Collier	Abrazadera	2
101	0064565	Fuel shut-off	Alimenter d'arrêt	Abastecza de combustible válvula	1
102	0064566	Absorber, tank	Absorbeur	Absorbente	4
104	0065304	Panel, wired	Tableau complet câblé	Panel, cabeado completo	1
105	0064576	Isolator	Sectionneur	Aislador	4
106	0064577	Nut M10 x 1.5	Écrous	Tuerca	8
107	0064578	Screw M10 x 95	Vis	Tornillo	2
108	0064579	Wheel Pneumatic	Roue	Rueda	2
109	0064580	Bushing	Bague	Buje	2
110	0064577	Nut M10 x 1.5	Écrous	Tuerca	2
111	0064567	Nut M8	Écrous	Tuerca	4
112	0064581	Screw M8 x 30	Vis	Tornillo	2
113	0064582	Rubber Foot	Pied	Pie	2
114	0064583	Bracket, foot	Support de pied	Soporte del pie	1
115	0064584	Screw M8 x 15	Vis	Tornillo	2
117	0064585	Grip, handle	Poignée	Empuñadura	1
118	0062174	Lanyard	Lanyard	Acollador	1
119	0064587	Handle	Poignée	Manija	1
120	0064588	Nut M6	Écrous	Tuerca	1
121	0064589	Screw M6 x 28	Vis	Tornillo	1
122	0064590	Pin, release	Épingle de relâchement	Alfileres de la liberación	1
123	0064591	Magnetic coil	Bobine magnétique	Rollo magnético	1
124	0064592	Screw M6 x 25	Vis	Tornillo	1
125	0064369	Ring seal	Joint	Sello	1
126	0064370	Oil cover	Couvercle	Tapa	1
127	0064567	Nut M8	Écrous	Tuerca	2
128	0064568	Screw M6 x 16	Vis	Tornillo	2
129	0064569	Cover, muffler	Couvercle	Tapa	1
130	0064570	Clamp, spark arrester	Collier	Abrazadera	1
131	0064571	Retainer, spark arrester	Retenue	Retenedor	1
132	0064572	Washer, spark arrester	Rondelle	Arandela	1
133	0064573	Spark arrester	Pare-étincelles	Apagachispas	1
134	0064574	Rubber bar	Barre de caoutchouc	Barra de caucho	1
135	0064575	Muffler	Silencieux	Silenciador	1
136	0064667	Screw M10 x 35	Vis	Tornillo	4
137	0063300	Adapter, engine	Adaptateur pour moteur	Adaptor, motor	1
138	0064668	Screw M6 x 12	Vis	Tornillo	3
139	0064669	Washer lock M6	Contre-écrou	Arandela, de cierre	3
140	0064670	Washer M6	Rondelle	Arandela	3
141	0063301	Rotor	Rotor	Rotor	1

**PARTS LIST / LISTE DES PIÈCES / LISTA DE PIEZAS**

REF. NO.	PART NO.	DESCRIPTION	DESCRIPTION	DESCRIPCIÓN	QTY
142	0064671	Bolt M8 x 230	Boulon	Perno	1
143	0063302	Stator	Stator	Estator	1
144	0063303	Band, stator cover	Bande	Banda	1
145	0064672	Screw M5 x 14	Vis	Tornillo	1
146	0063291	AVR module	La tension automatique régulatrice	El regulador automático del voltaje	1
147	0063229	Support, bearing	Support, roulement	Soporte, Cojinete	1
148	0063304	Bolt, M6 x 180	Boulon	Perno	4
149	0063238	Washer, lock M5	Contre-écrou	Arandela, de cierre	5
150	0063237	Washer M5	Rondelle	Arandela	5
151	0064673	Screw M5 x 12	Vis	Tornillo	5
152	0063236	Terminal block	Bloc délimitant	Bloque terminal	1
153	0063230	Brush module	Brosser le module	Cepille módulo	1
154	0064674	Screw M5 x 10	Vis	Tornillo	1
155	0063240	Cover, end	Couvercle	Tapa	1
156	0063241	Screw flg M5 x 10mm	Vis	Tornillo	2
165	0049832	Circuit Breaker 30 amp	Disjoncteurs 30 amp	Cortacircuitos 30 amp	2
166	0049071	Circuit Breaker 20 amp	Disjoncteurs 20 amp	Cortacircuitos 20 amp	2
171	0064593	Switch, Rocker	Interrupteur	Interruptor	1

**Note A:** Contact your nearest Powermate Corporation Service Center for replacement fuel tanks.

**Note B:** Use Champion RN14YC spark plug or equivalent. Spark plug gap = .028/.031 inches (0.7/0.8 mm)



**WARNING:** To avoid possible personal injury or equipment damage, a registered electrician or an authorized service representative should perform installation and all service. Under no circumstances should an unqualified person attempt to wire into a utility circuit.

**Remarque A:** Pour commander un réservoir de rechange, contacter Centre de service Powermate Corporation le plus proche.

**Remarque B:** L'usage Champion RN14YC bougie ou l'équivalent. L'écart pour la bougie = .028/.031 pouces (0.7/0.8 mm)



**AVERTISSEMENT:** Pour éviter toute blessure personnelle ou dommage à l'équipement, l'installation et tout entretien devraient être effectués par un électricien qualifié ou un préposé au service autorisé. En aucun cas, une personne non-qualifiée ne devrait essayer de faire le raccord au circuit principal.

**Nota A:** Para hacer pedidos de tanques, localice el Centro de Servicio de Powermate Corporation más cercano.

**Nota B:** El uso Champion bujía RN14YC o equivalente. El espacio para la bujía = pulgadas .028/.031 (0.7/0.8 Mm)



**ADVERTENCIA:** Para evitar posibles lesiones físicas o daños materiales, es necesario que la instalación y todo el servicio sea realizado por un electricista matriculado o representante de servicio autorizado. Bajo ninguna circunstancia debe permitirse que una persona que no está capacitada trate de manipular cables dentro del circuito de servicio eléctrico.

## Powermate Corporation

**4970 Airport Road**  
**P. O. Box 6001**  
**Kearney, NE 68848**  
**1-800-445-1805**  
**1-308-237-2181**  
**Fax 1-308-234-4187**

© 2007 Powermate Corporation. All rights reserved.

© 2007 Powermate Corporation. Tous droits réservés.

© 2007 Powermate Corporation. Reservados todos los derechos.

## I. CALIFORNIA AND FEDERAL EMISSION CONTROL WARRANTY STATEMENT

### YOUR WARRANTY RIGHTS AND OBLIGATIONS

The California Air Resources Board (CARB) and the United States Environmental Protection Agency (EPA), together with JIANGSU SUMEC-LINHAI POWER MACHINERY CO., LTD. (SLH), are pleased to explain the Emission Control System Warranty on your new small off-road engine. New small off-road engines must be designed, built and equipped to meet stringent anti-smog standards for the state of California and the federal government. JIANGSU SUMEC-LINHAI POWER MACHINERY CO., LTD. will warrant the emission control system on your engine for the periods of time listed below provided there has been no abuse, neglect, unapproved modification or improper maintenance of your engine.

Your emission control system may include parts such as the carburetor, ignition, intake and exhaust systems. JIANGSU SUMEC-LINHAI POWER MACHINERY CO., LTD. will repair your engine at no cost to you for diagnosis, replacement parts and labor, should a warrantable condition occur.

### MANUFACTURER'S WARRANTY COVERAGE:

The 1995 and later small off-road engines are warranted for two years. If any emission related part on your engine is defective, the part will be repaired or replaced by SLH.

### OWNER'S WARRANTY RESPONSIBILITIES:

As the small off-road engine owner, you are responsible for the performance of the required maintenance listed in your owner's manual. SLH recommends that you retain all receipts covering maintenance on your small off-road engine, but SLH cannot deny warranty solely for the lack of receipts or for your failure to ensure the performance of all scheduled maintenance.

As the small off-road engine owner, you should however be aware that SLH may deny you warranty coverage if your small off-road engine or a part has failed due to abuse, neglect, improper maintenance or unapproved modifications.

You are responsible for presenting your small off-road engine to a SLH distribution center as soon as a problem exists. The warranty repairs should be completed in a reasonable amount of time, not to exceed 30 days.

If you have any questions regarding your warranty rights and responsibilities, you should contact Sunright international of America, Phone number 770-729-9065, or write to the following address: Sunright International of America, Inc. 5965 Peachtree Corners E. Ste C-3, Norcross, GA 30071. ATTENTION WARRANTY DEPARTMENT.

## II. EMISSION CONTROL SYSTEM WARRANTY

Emission Control System Warranty (ECS Warranty) for 1997 and later model engines:

(a) Applicability: This warranty shall apply to 1997 and later model year engines. The ECS Warranty Period shall begin on the date the new engine or equipment is purchased by/delivered to its ultimate purchaser and shall continue for 24 consecutive months thereafter.

(b) General Emissions Warranty Coverage: SLH warrants to the ultimate purchaser of the new engine or equipments and each subsequent purchaser for a two-year period.

(1) Designed, built and equipped so as to conform with all applicable regulations adopted by the EPA and CARB pursuant to their respective authority, and

(2) Free from defects in materials and workmanship, which, at any time during the ECS Warranty Period, may cause a warranted emissions-related part to fail to be identical in all material respects to the part as described in the engine manufacturer's application for certification.

The ECS Warranty only pertains to emissions-related parts on your engine, as follows:

(1) Any warranted, emissions-related parts that are not scheduled for replacement as required maintenance in the Owner's Manual must be warranted for the ECS Warranty Period. If any such part fails during the ECS Warranty Period, it shall be repaired or replaced by SLH according to Subsection (4) below. Any such part repaired or replaced under the ECS Warranty shall be warranted for the remainder of the ECS Warranty Period.

(2) Any warranted, emissions-related part that is scheduled only for regular inspection as specified in the Owner's Manual must be warranted for the ECS Warranty Period. A statement in such written instructions to the effect of "repair or replace as necessary" shall not reduce the ECS Warranty Period. Any such part repaired or replaced under the ECS Warranty shall be warranted for the remainder of the ECS Warranty Period.

(3) Any warranted, emissions-related part that is scheduled for replacement as required maintenance in the Owner's Manual shall be warranted for the period of time prior to the first scheduled replacement point for that part. If the part fails prior to the first scheduled replacement, the part shall be repaired or replaced by SLH according to Subsection (4) below. Any such emissions-related part repaired or replaced under the ECS Warranty shall be warranted for the remainder of the ECS Warranty Period prior to the first scheduled replacement point for such emissions-related part.

(4) Repair or replacement of any warranted, emissions-related part under this ECS Warranty shall be performed at no charge to the owner at a SLH Authorized Warranty Service Facility. The warranty services or repairs must be provided at all manufacturer distribution centers that are franchised to service the subject engines.

(5) When the engine is inspected by a SLH Authorized Warranty Service Facility, the owner shall not be held responsible for diagnostic costs if the repair is deemed warrantable.

(6) SLH shall be liable for damages to other original engine components or approved modifications proximately caused by a failure under warranty of any emission-related part covered by the ECS Warranty.

(7) Throughout the ECS Warranty Period, SLH shall maintain a supply of warranted emission-related parts sufficient to meet the expected demand for such emission-related parts.

(8) Any replacement part may be used in the performance of any Warranty maintenance or repairs and will be provided without charge to the ultimate purchaser. Such use shall not reduce SLH's ECS Warranty obligations.

(9) Add-on or modified parts may not be used. Such use will be grounds for disallowing a warranty claim made in accordance with this article. SLH will not be liable under this article to warrant failures of warranted parts caused by the use of such an add-on or modified part.

### EMISSION RELATED PARTS INCLUDE THE FOLLOWING:

#### 1) Fuel Metering System:

- a) Gasoline carburetor assembly and its internal components.
- b) Fuel filter (if so equipped)
- c) Carburetor gaskets
- d) Fuel pump (if so equipped)

#### 2) Air Induction System including:

- a) Intake pipe/manifold
- b) Air cleaner

#### 3) Ignition System including:

- a) Spark plug
- b) Ignition module/coil

#### 4) Miscellaneous Items Used in Above Systems

- a) Vacuum, temperature, and time sensitive valves and switches.
- b) Hoses, belts, connectors, and assemblies.